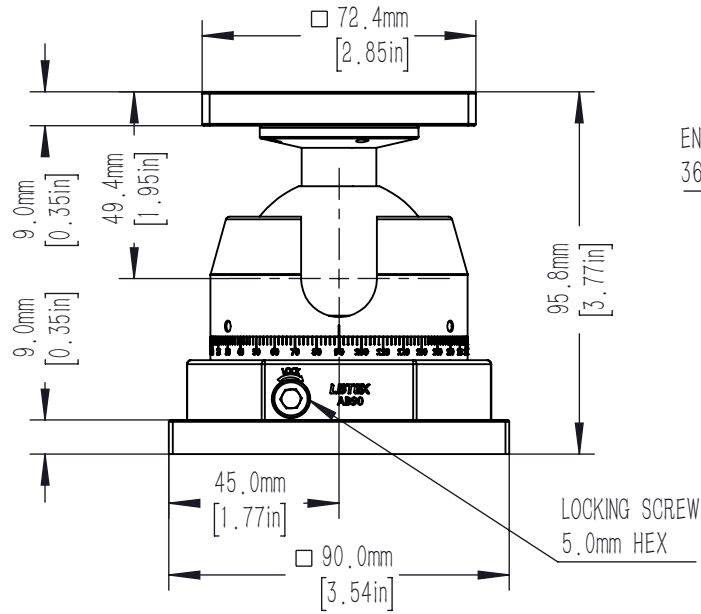
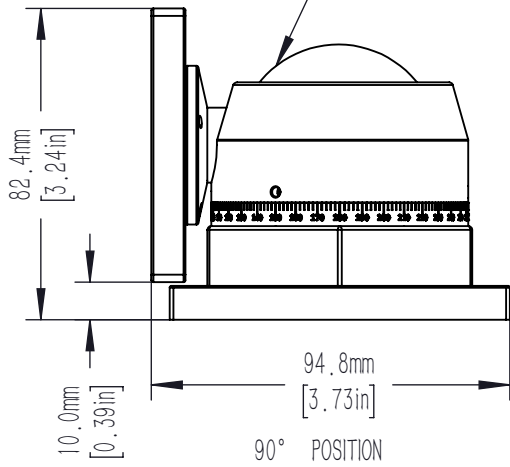


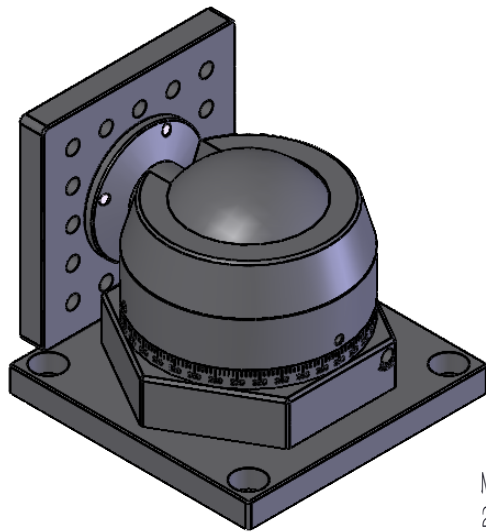
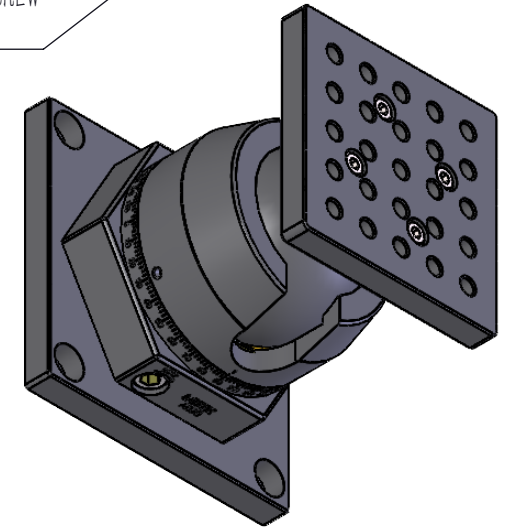
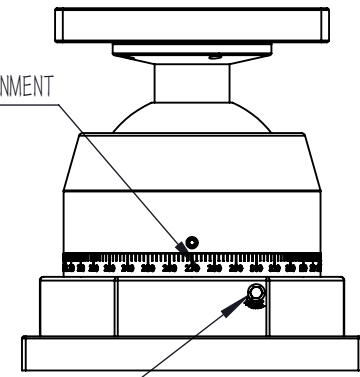
PIVOT BALL ALLOWS
ROTATIONAL MOVEMENT IN ALL DIRECTIONS
FULL 90° IN ONE DIRECTION



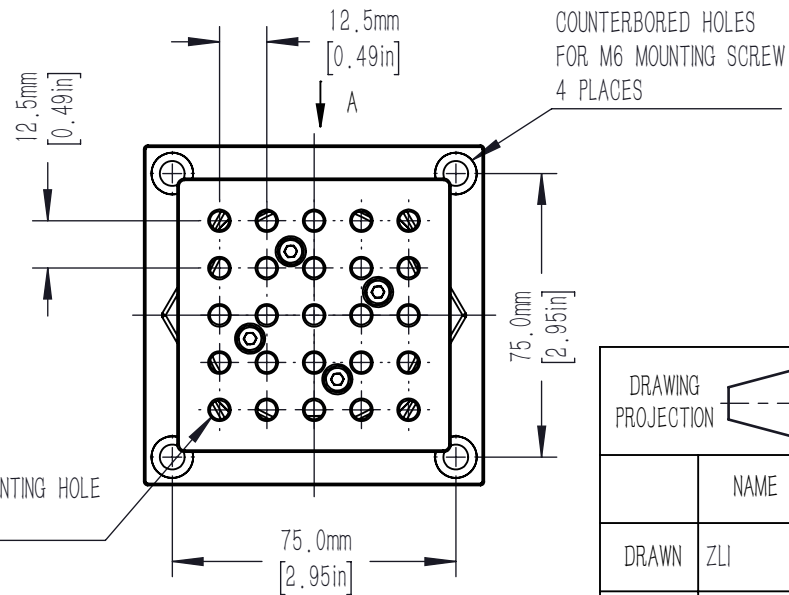
ENGRAVING FOR
360° ROTATIONAL ALIGNMENT

VIEW A
180.00°

TENSIONER SCREW
3.0mm HEX



M6 x 1.0 MOUNTING HOLE
25 PLACES



DRAWING PROJECTION			LBTEK			
	NAME	DATE				
DRAWN	ZLI	MAR./6th/20	METRIC PIVOT PLATFORM			
APPROVAL	HDE	MAR./6th/20	MATERIAL	WEIGHT	SCALE	REV
FOR INFORMATION ONLY NOT FOR MANUFACTURING PURPOSES			N/A	0.945 Kg	1:2	A