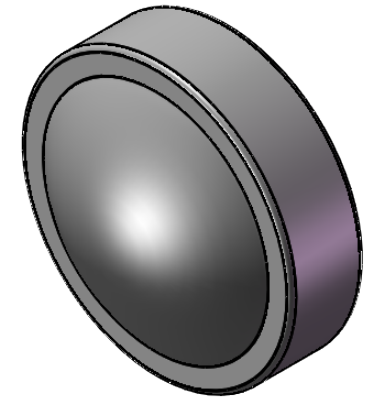
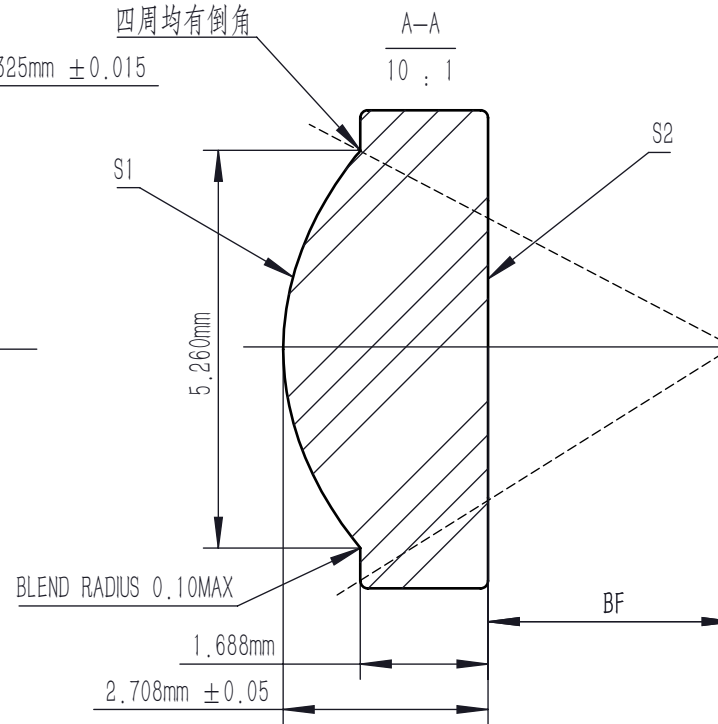
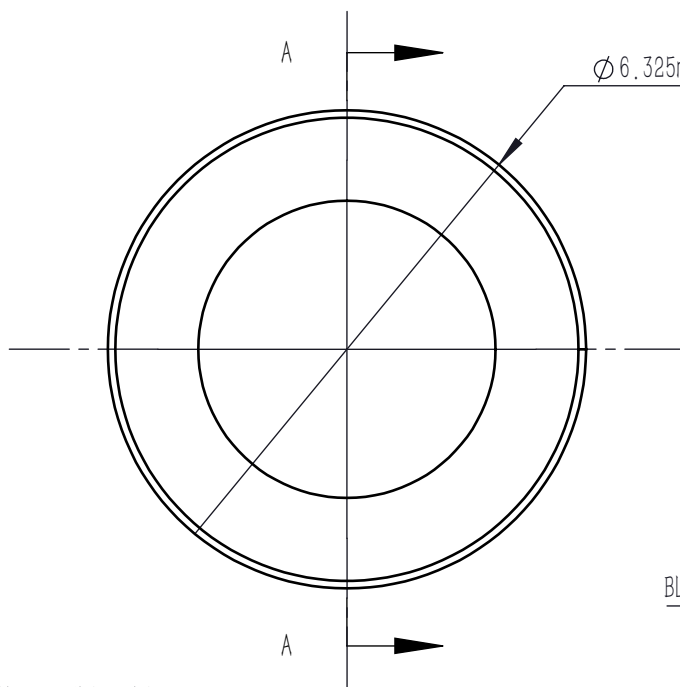


	TYPE	SHAPE	CA	R	k	A4	A6	A8	A10	A12	A14	A16
S1	ASPHERE	CX	∅5.07	3.576018	-0.924723	9.254780E-4	8.343884E-8	-5.472568E-7	-2.600541E-8	6.978885E-10	0	0
S2	PLANO	PL	∅3.93	PLANO	0	0	0	0	0	0	0	0

$$Z = \frac{Y^2}{R(1 + \sqrt{1 - (1 + K)Y^2/R^2})} + \sum_i A_{2i} r^{2i}$$



NOTE

1. MATERIAL: D-ZLAF52LA
2. DESIGN WAVELENGTH: 780 nm
3. WORKING WAVELENGTH: 340 nm-2400 nm
4. NUMERICAL APERTURE: 0.6
5. FOCAL LENGTH: 4.5 mm
6. FOCAL LENGTH TOLERANCE: ±1.0%
7. BACK FOCAL LENGTH(REF): BF=3.1 mm
8. CHAMFER: <0.2 mm, 45°
9. SURFACE QUALITY: 40-20 SCRATCH-DIG
10. CENTRATION: <30 arcmin
11. AR COATING: UNCOATED

DRAWING PROJECTION									
		NAME		DATE		AC110618			
DRAWN		BSHU		Aug./1st/24		ASPHERIC CONDENSER LENS ∅=6.325 mm f=4.5 mm			
APPROVAL		WCHENG		Aug./1st/24		MATERIAL	WEIGHT	SCALE	REV
FOR INFORMATION ONLY NOT FOR MANUFACTURING PURPOSES						D-ZLaF52LA	0.29g	20:1	A