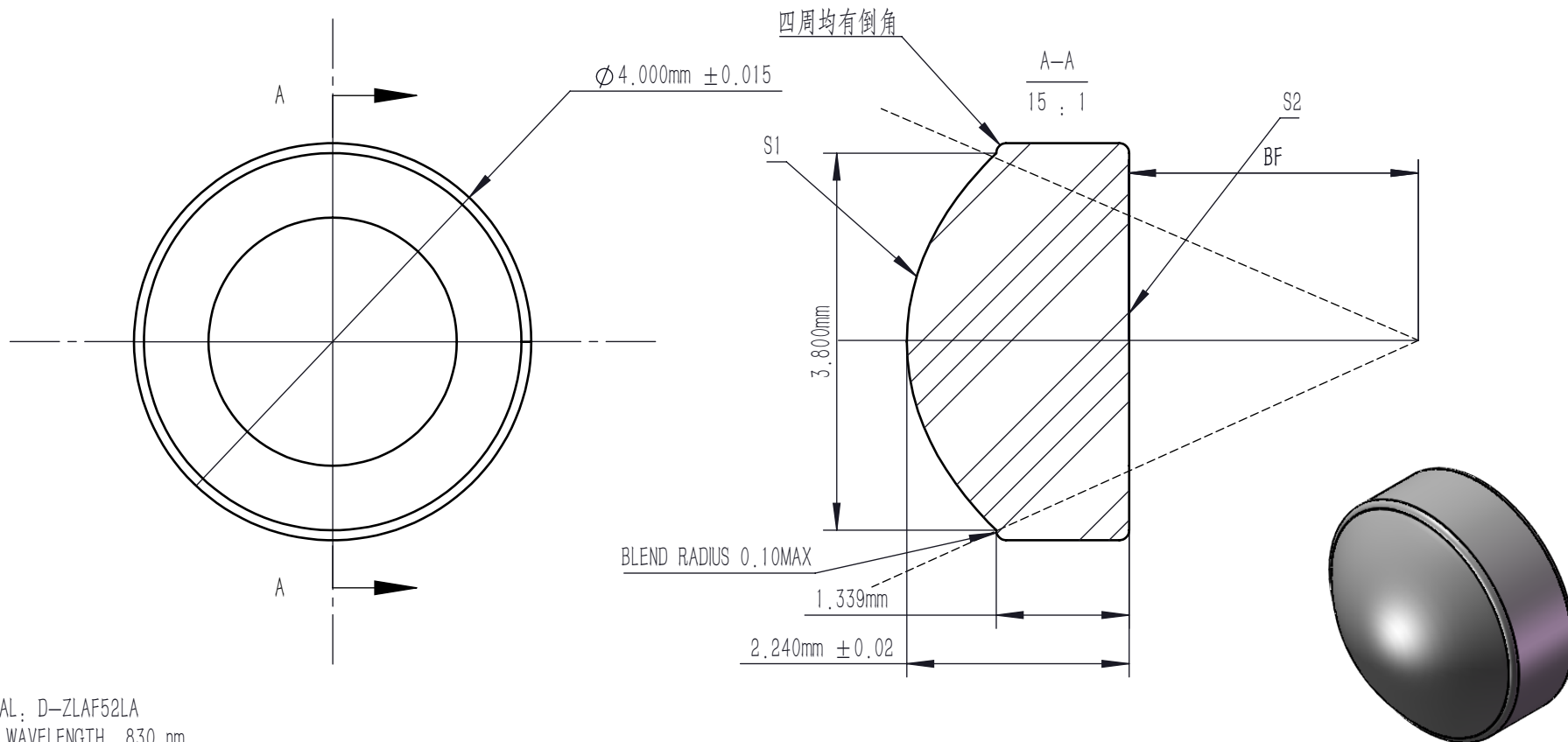


| | TYPE | SHAPE | CA | R | k | A4 | A6 | A8 | A10 | A12 | A14 | A16 |
|----|---------|-------|-------|----------|-----------|-------------|--------------|--------------|--------------|-------------|-----|-----|
| S1 | ASPHERE | CX | ∅3.60 | 2.175094 | -1.276412 | 8.869159E-3 | -3.082162E-5 | -8.569050E-6 | -3.809811E-6 | 1.937629E-7 | 0 | 0 |
| S2 | PLANO | PL | ∅2.50 | PLANO | 0 | 0 | 0 | 0 | 0 | 0 | 0 | 0 |

$$Z = \frac{Y^2}{R(1 + \sqrt{1 - (1 + K)Y^2/R^2})} + \sum_i A_{2i} r^{2i}$$



NOTE

1. MATERIAL: D-ZLAF52LA
2. DESIGN WAVELENGTH: 830 nm
3. WORKING WAVELENGTH: 340 nm-2400 nm
4. NUMERICAL APERTURE: 0.6
5. FOCAL LENGTH: 2.8 mm
6. FOCAL LENGTH TOLERANCE: ±1.0%
7. BACK FOCAL LENGTH(REF): BF=1.5 mm
8. CHAMFER: <0.2 mm, 45°
9. SURFACE QUALITY: 40-20 SCRATCH-DIG
10. CENTRATION: <30 arcmin
11. AR COATING: UNCOATED

| | | | | | | | | | |
|--|--|--------|------|---|-------------|------------|--------|--|-----|
| DRAWING PROJECTION | | | | <h1 style="color: red; margin: 0;">LBTEK</h1> | | | | | |
| | | | | | | | | AC111016 | |
| DRAWN | | BSHU | DATE | | Aug./1st/24 | | | ASPHERIC CONDENSER LENS ∅=4.0 mm f=2.8 mm | |
| APPROVAL | | WCHENG | DATE | | Aug./1st/24 | MATERIAL | WEIGHT | SCALE | REV |
| FOR INFORMATION ONLY NOT FOR MANUFACTURING PURPOSES | | | | | | D-ZLaF52LA | 0.10g | 20:1 | A |