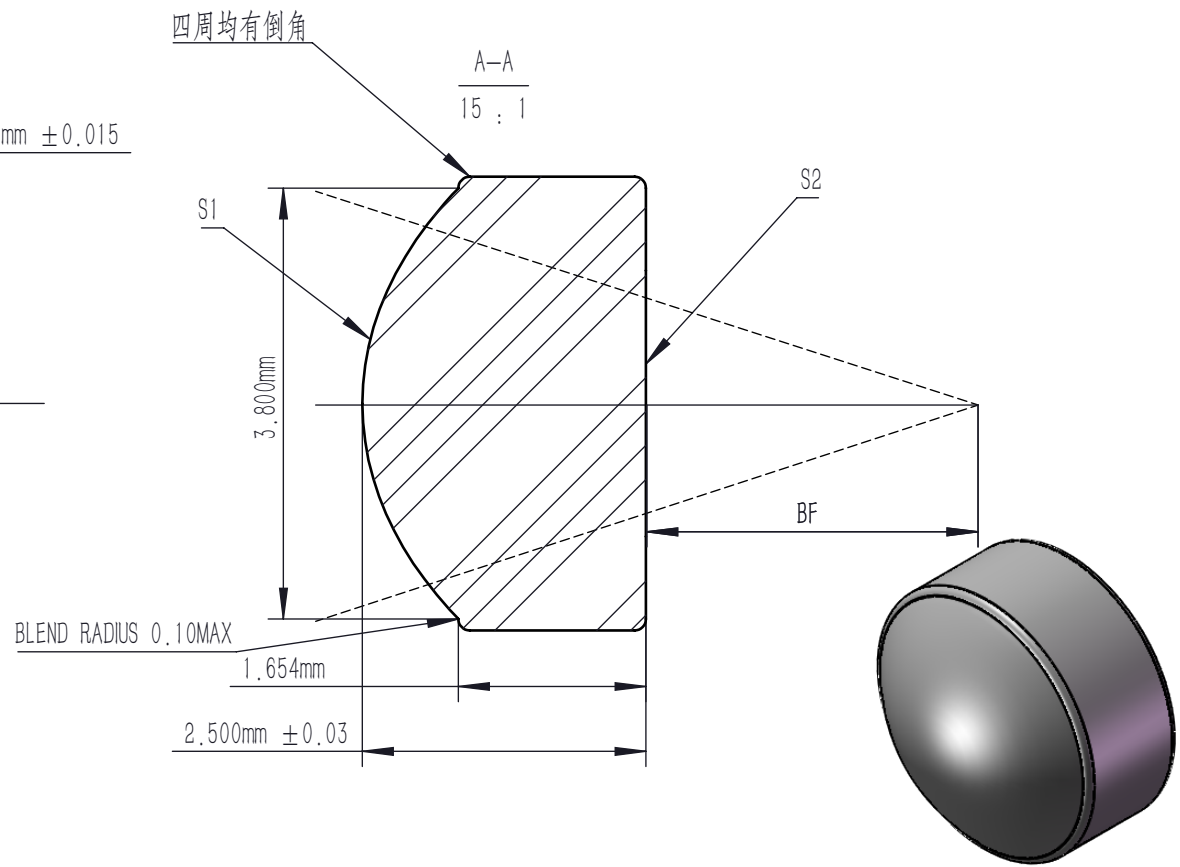
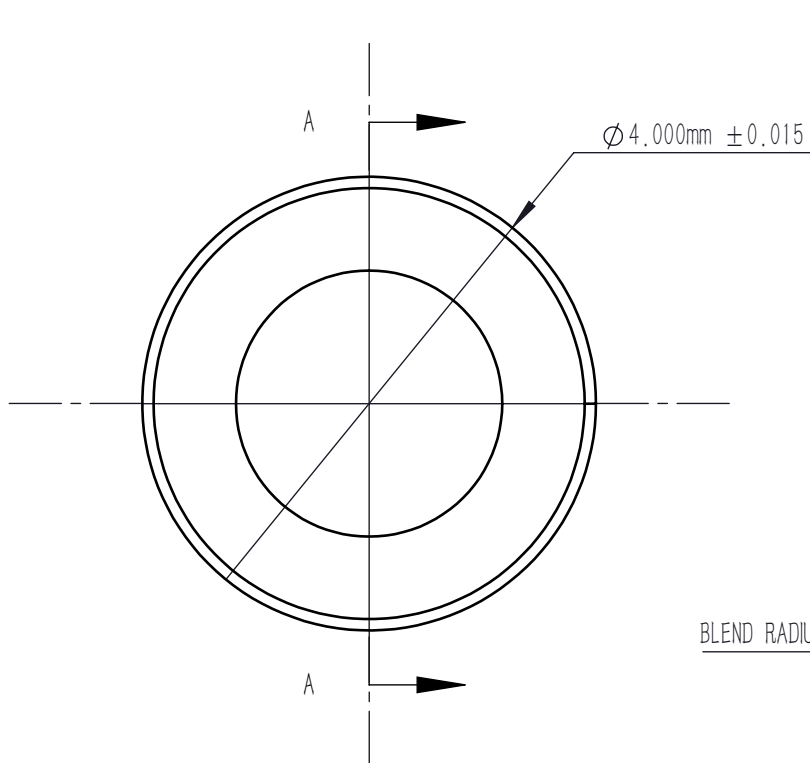


	TYPE	SHAPE	CA	R	k	A4	A6	A8	A10	A12	A14	A16
S1	ASPHERE	CX	∅3.60	2.305500	-1.018000	4.965900E-3	5.916600E-5	-2.273900E-6	-2.18900E-6	0	0	0
S2	PLANO	PL	∅2.35	PLANO	0	0	0	0	0	0	0	0

$$Z = \frac{Y^2}{R(1 + \sqrt{1 - (1 + K)Y^2/R^2})} + \sum_i A_{2i} r^{2i}$$



NOTE

1. MATERIAL: D-ZLAF52LA
2. DESIGN WAVELENGTH: 1550 nm
3. WORKING WAVELENGTH: 340 nm-2400 nm
4. NUMERICAL APERTURE: 0.5
5. FOCAL LENGTH: 3.0 mm
6. FOCAL LENGTH TOLERANCE: 1.0%
7. BACK FOCAL LENGTH(REF): BF=1.6 mm
8. CHAMFER: <0.2 mm, 45
9. SURFACE QUALITY: 40-20 SCRATCH-DIG
10. CENTRATION: <30 arcmin
11. AR COATING: UNCOATED

DRAWING PROJECTION			LBTEK			
	NAME	DATE	AC111052			
DRAWN	BSHU	Aug./1st/24	ASPHERIC CONDENSER LENS ∅=4 mm f=3 mm			
APPROVAL	WCHENG	Aug./1st/24	MATERIAL	WEIGHT	SCALE	REV
FOR INFORMATION ONLY NOT FOR MANUFACTURING PURPOSES			D-ZLaF52LA	0.12g	20:1	A