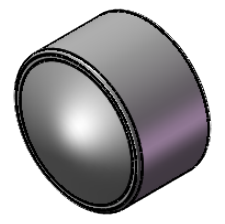
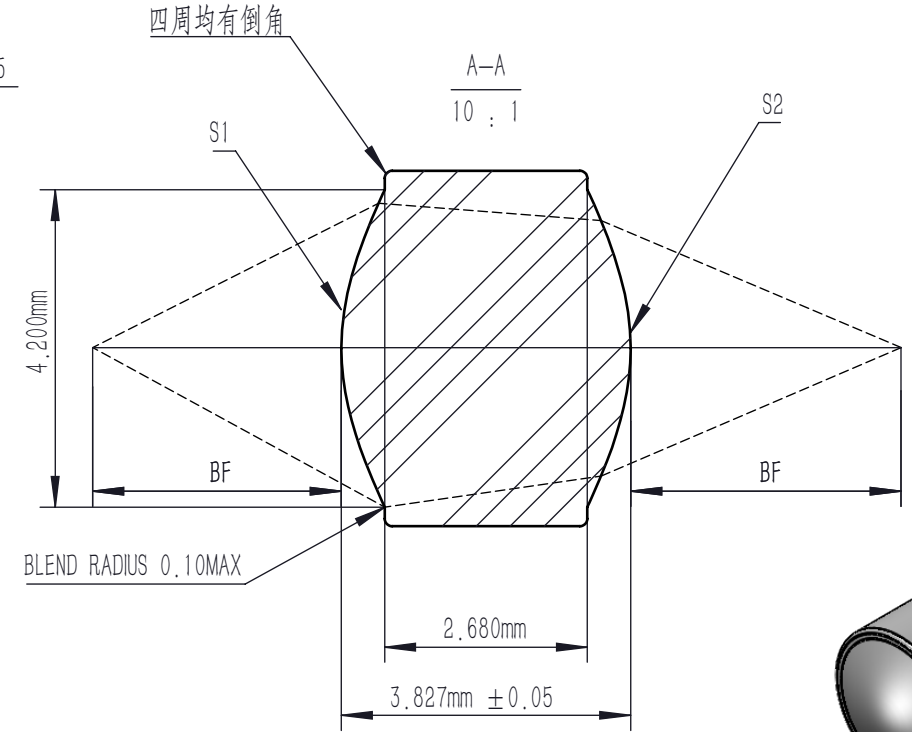
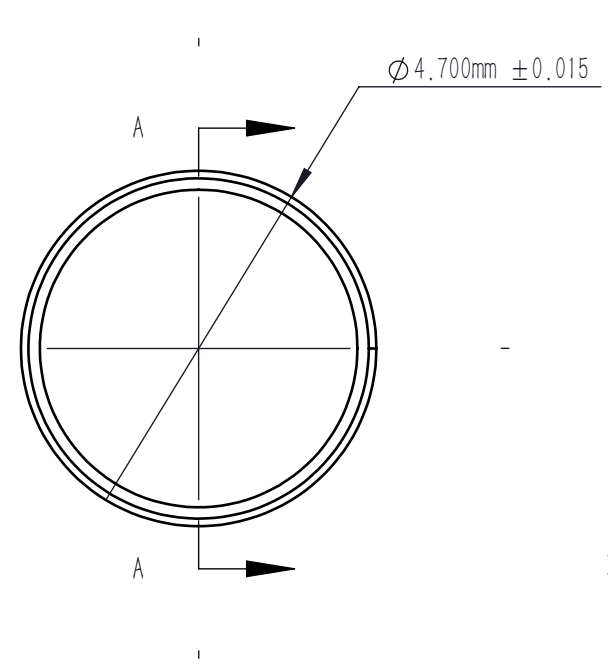


	TYPE	SHAPE	CA	R	k	A4	A6	A8	A10	A12	A14	A16
S1	ASPHERE	CX	∅4.12	3.200655	4.321649	5.521153E-3	-1.981378E-3	4.782553E-4	-7.328134E-5	5.920460E-6	-9.104334E-8	-1.291935E-8
S2	PLANO	PL	∅3.76	-3.200655	-4.321649	-5.521153E-3	1.981378E-3	-4.782553E-4	7.328134E-5	-5.920460E-6	9.104334E-8	1.291935E-8

$$Z = \frac{Y^2}{R(1 + \sqrt{1 - (1 + K)Y^2/R^2})} + \sum_i A_{2i} r^{2i}$$



NOTE

1. MATERIAL: D-ZLAF52LA
2. DESIGN WAVELENGTH: 980 nm
3. WORKING WAVELENGTH: 340 nm-2400 nm
4. NUMERICAL APERTURE: 0.5/0.3
5. FOCAL LENGTH: 2.8 mm
6. FOCAL LENGTH TOLERANCE: ±1.0%
7. BACK FOCAL LENGTH(REF): BF=7.2/2.1 mm
8. CHAMFER: <0.2 mm, 45°
9. SURFACE QUALITY: 40-20 SCRATCH-DIG
10. CENTRATION: <30 arcmin
11. AR COATING: UNCOATED

DRAWING PROJECTION							
		NAME		DATE		AC111116	
DRAWN		BSHU		Aug./1st/24		ASPHERIC CONDENSER LENS ∅=4.7 mm f=2.8 mm	
APPROVAL		WCHENG		Aug./1st/24		MATERIAL WEIGHT SCALE REV	
FOR INFORMATION ONLY NOT FOR MANUFACTURING PURPOSES				D-ZLaF52LA		0.25g 20:1 A	