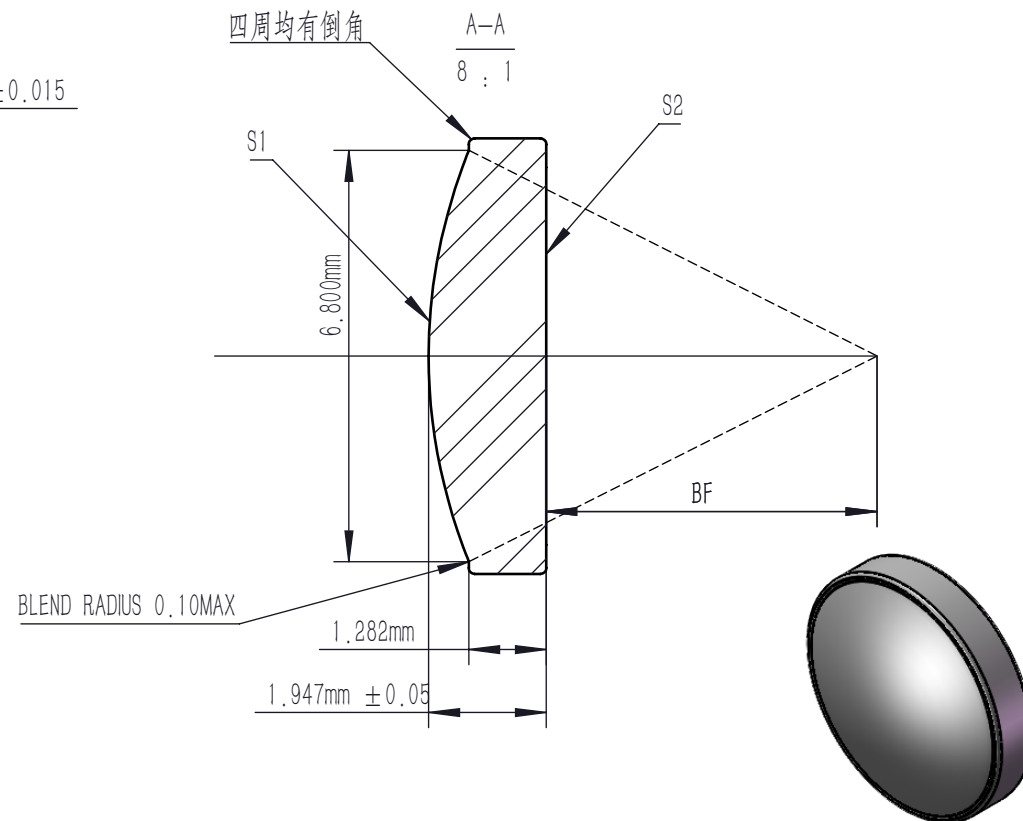
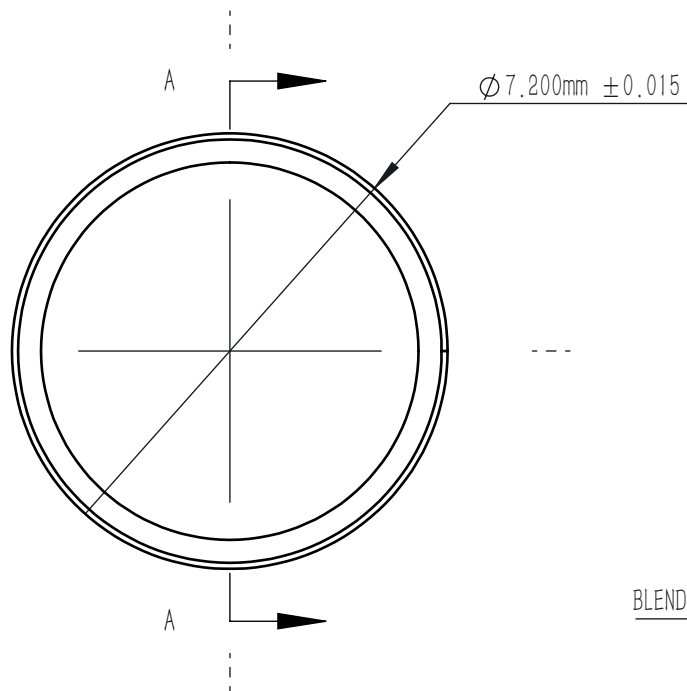


	TYPE	SHAPE	CA	R	k	A4	A6	A8	A10	A12	A14	A16
S1	ASPHERE	CX	∅ 6.68	8.789661	-0.905894	3.790758E-5	-1.563752E-7	0	0	0	0	0
S2	PLANO	PL	∅ 6.24	PLANO	0	0	0	0	0	0	0	0

$$Z = \frac{Y^2}{R(1 + \sqrt{1 - (1 + K)Y^2/R^2})} + \sum_i A_{2i} r^{2i}$$



NOTE

1. MATERIAL: D-ZLAF52LA
2. DESIGN WAVELENGTH: 670 nm
3. WORKING WAVELENGTH: 340 nm-2400 nm
4. NUMERICAL APERTURE: 0.3
5. FOCAL LENGTH: 11 mm
6. FOCAL LENGTH TOLERANCE: ±1.0%
7. BACK FOCAL LENGTH(REF): BF=10 mm
8. CHAMFER: <0.2 mm, 45°
9. SURFACE QUALITY: 60-40 SCRATCH-DIG
10. CENTRATION: <30 arcmin
11. AR COATING: UNCOATED

DRAWING PROJECTION							
	NAME	DATE	AC111635				
DRAWN	BSHU	Aug./1st/24	ASPHERIC CONDENSER LENS ∅=7.2 mm f=11 mm				
APPROVAL	WCHENG	Aug./1st/24	MATERIAL	WEIGHT	SCALE	REV	
FOR INFORMATION ONLY NOT FOR MANUFACTURING PURPOSES			D-ZLaF52LA	0.29g	20:1	A	