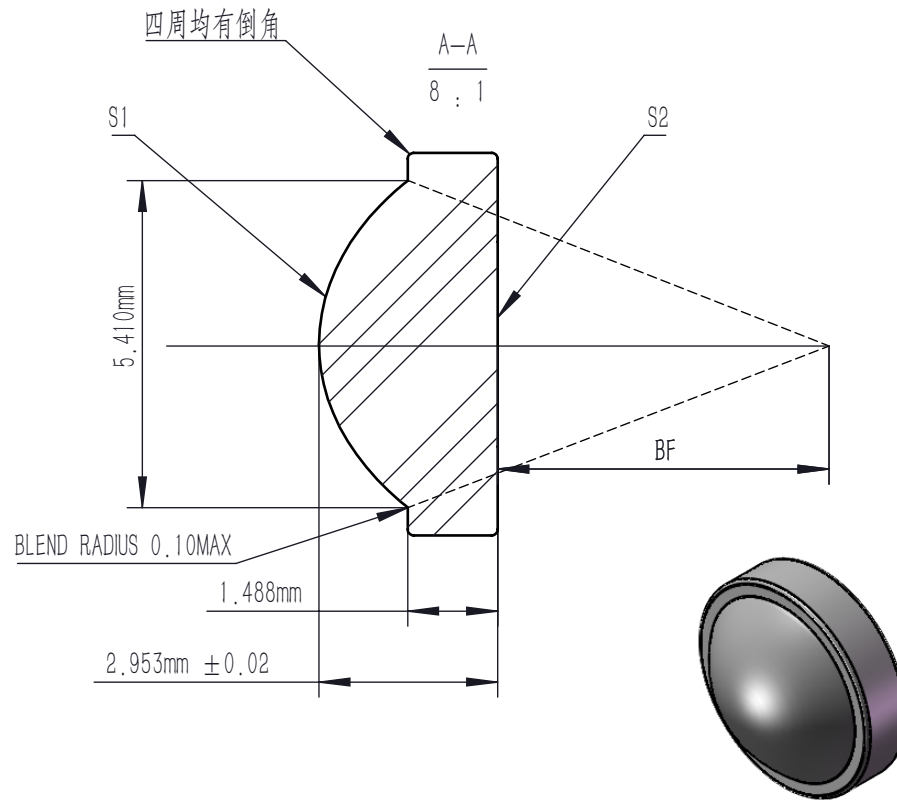
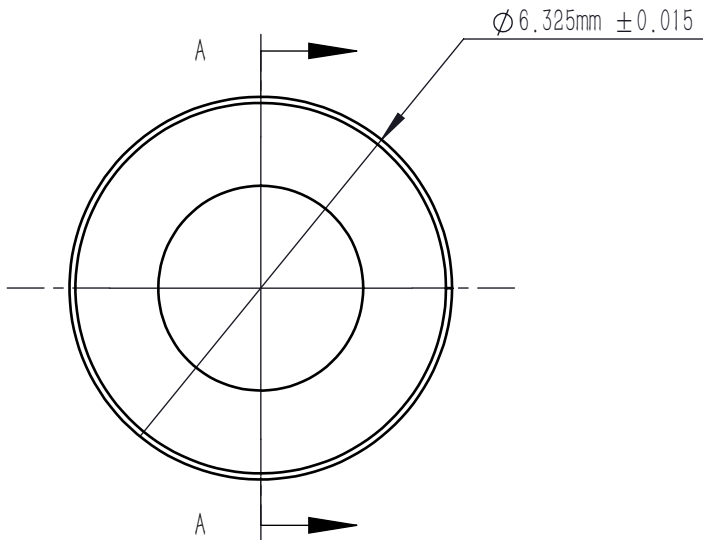


	TYPE	SHAPE	CA	R	k	A4	A6	A8	A10	A12	A14	A16
S1	ASPHERE	CX	∅4.8	2.843569	-0.899542	2.313418E-3	6.313816E-5	7.072595E-7	-4.552089E-8	-8.836614E-9	-3.778708E-10	0
S2	PLANO	PL	∅3.39	PLANO	0	0	0	0	0	0	0	0

$$Z = \frac{Y^2}{R(1 + \sqrt{1 - (1 + K)Y^2/R^2})} + \sum_i A_{2i} r^{2i}$$



NOTE

1. MATERIAL: D-LAK6
2. DESIGN WAVELENGTH: 410 nm
3. WORKING WAVELENGTH: 300 nm-2400 nm
4. NUMERICAL APERTURE: 0.6
5. FOCAL LENGTH: 4.0 mm
6. FOCAL LENGTH TOLERANCE: ±1.0%
7. BACK FOCAL LENGTH(REF): BF=2.7 mm
8. CHAMFER: <0.2 mm, 45°
9. SURFACE QUALITY: 40-20 SCRATCH-DIG
10. CENTRATION: <30 arcmin
11. AR COATING: UNCOATED

DRAWING PROJECTION			LBTEK			
		NAME	DATE	AC120635-15		
DRAWN	BSHU	Aug./1st/24	ASPHERIC CONDENSER LENS ∅=6.325 mm f=4.0 mm			
APPROVAL	WCHENG	Aug./1st/24	MATERIAL	WEIGHT	SCALE	REV
FOR INFORMATION ONLY NOT FOR MANUFACTURING PURPOSES			D-LAK6	0.22g	20:1	A