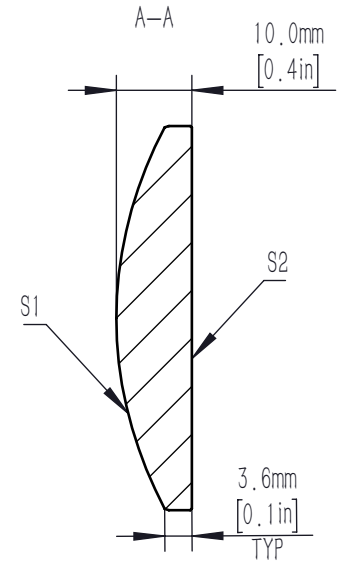
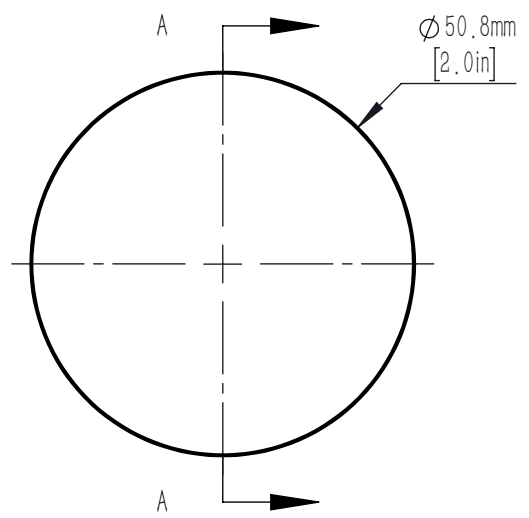
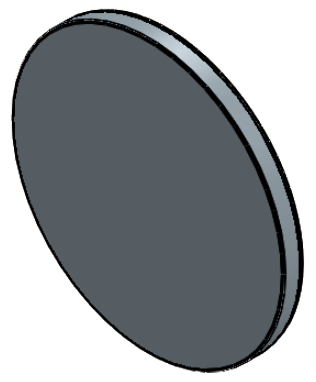


	R	k	A4	A6	A8	A10
S1	51.12	-0.575	-4.8366264e-11	-8.5756915e-12	-2.0138223e-15	-4.5977971e-19
S2	INFINITE	-	-	-	-	-

$$z = \frac{Y^2}{R(1 + \sqrt{1 - (1 + k)Y^2/R^2})} + A_4Y^4 + A_6Y^6 + A_8Y^8 + A_{10}Y^{10}$$



NOTES:

1. MATERIAL: N-BK7
2. DESIGN WAVELENGTH: 780.0 nm
3. NUMERICAL APERTURE: 0.22
4. FOCAL LENGTH: 100.0 mm
5. FOCAL LENGTH TOLERANCE: ±1 %
6. BACK FOCAL LENGTH(REF): BF=93.4 mm
7. CLEAR APERTURE: >90 %CA
8. DIAMETER TOLERANCE: +0.0/-0.1 mm
9. THICKNESS TOLERANCE: ±0.1 mm
10. CHAMFER: 0.2 mm, 45 °
11. WAVEFRONT ERROR(RMS): <0.5 μm
12. SAG DEVIATION(POWER, S1): ±7.5 μm
13. SURFACE IRREGULARITY(S1): <3 FRINGES
14. SURFACE FLATNESS(S2): λ / 4
15. SURFACE QUALITY: 60-40 SCRATCH-DIG
16. CENTRATION: <3 arcmin
17. DAMAGE THRESHOLD: 9 J/cm²@532 nm, 10 ns, 10 HZ, Ø0.504 mm
18. AR COATING(S1, S2): Ravg<0.5 %@400-700 nm, 6 °AOI

DRAWING PROJECTION			LBTEK			
		NAME	DATE	AC1811-A		
DRAWN	BSHU	Aug./1st/24	ASPHERIC LENS			
APPROVAL	WCHENG	Aug./1st/24	MATERIAL	WEIGHT	SCALE	REV
FOR INFORMATION ONLY NOT FOR MANUFACTURING PURPOSES			N-BK7	14.01g	1:1	A