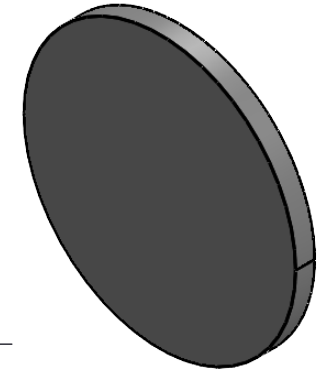
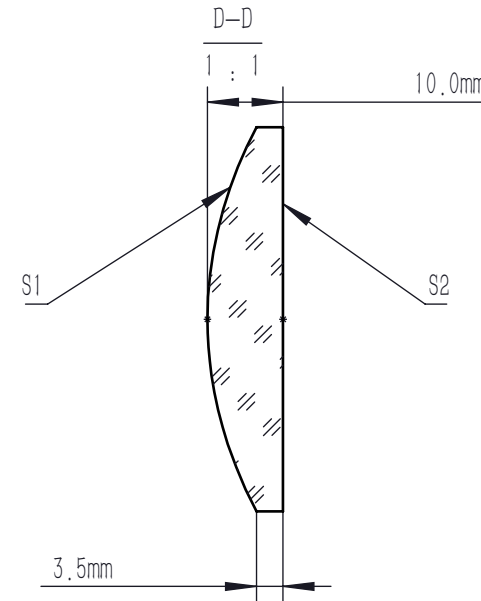
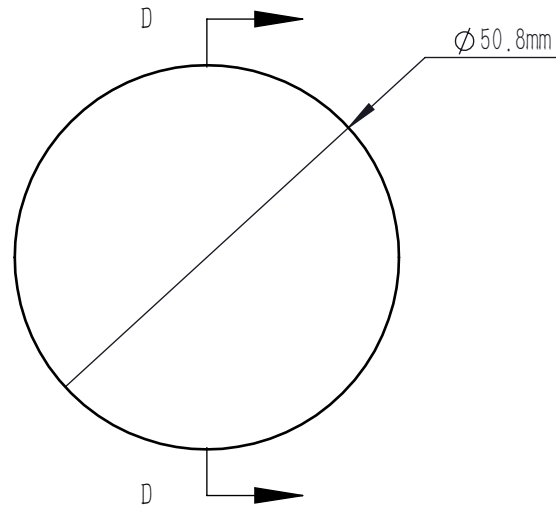


	R	k	A4	A6	A8	A10
S1	51.12	-0.575	-4.837e-011	-8.576e-12	-2.014e-15	-4.598e-19
S2	INFINITE	-	-	-	-	-

$$Z = \frac{Y^2}{R(1 + \sqrt{1 - (1 + K)Y^2 / R^2})} + A_4 Y^4 + A_6 Y^6 + A_8 Y^8 + A_{10} Y^{10}$$



NOTES:

1. MATERIAL: N-BK7, Or Equivalent Materials
2. DESIGN WAVELENGTH: 780.0 nm
3. NUMERICAL APERTURE: 0.22
4. FOCAL LENGTH: 100.0mm
5. FOCAL LENGTH TOLERANCE: $\pm 1\%$
6. BACK FOCAL LENGTH(REF): BF=93.4 mm
7. CLEAR APERTURE: $>90\%$ CA
8. DIAMETER TOLERANCE: $+0.0/-0.1$ mm
9. THICKNESS TOLERANCE: ± 0.1 mm
10. CHAMFER: 0.2 mm, 45°
11. WAVEFRONT ERROR(RMS): $<0.5 \mu\text{m}$
12. SAG DEVIATION(POWER, S1): $\pm 7.5 \mu\text{m}$
13. SURFACE IRREGULARITY(S1): <3 FRINGES
14. SURFACE FLATNESS(S2): $\lambda/4$
15. SURFACE QUALITY(S/D): 60/40
16. CENTRATION: <3 arcmin
17. AR COATING (S1, S2): UNCOATED

DRAWING PROJECTION			LBTEK			
	NAME	DATE	AC1811			
DRAWN	ZLIN	Nov./15th/25	ASPHERIC LENS			
APPROVAL	WCHENG	Nov./15th/25	MATERIAL	WEIGHT	SCALE	REV
FOR INFORMATION ONLY NOT FOR MANUFACTURING PURPOSES			N-BK7	34.53g	1:1	A