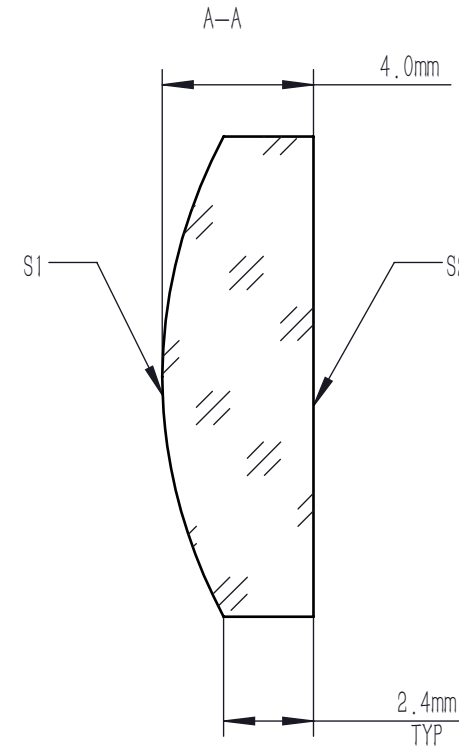
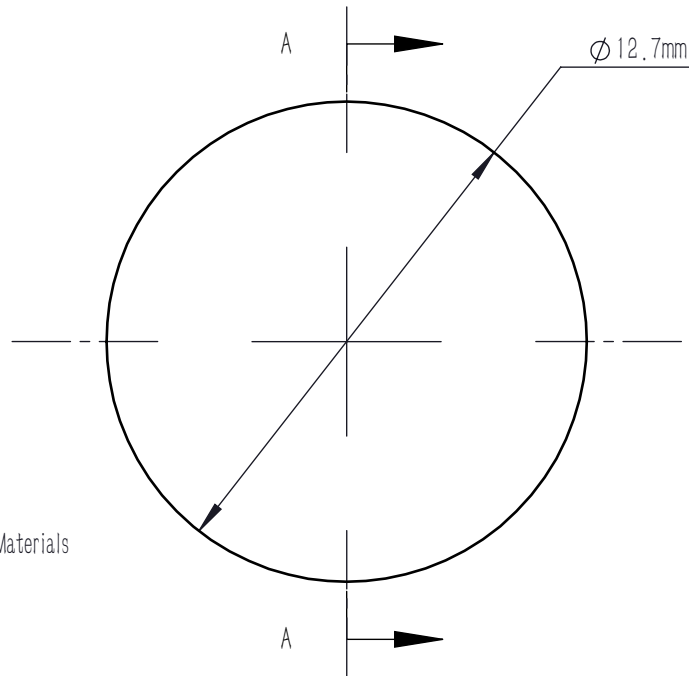
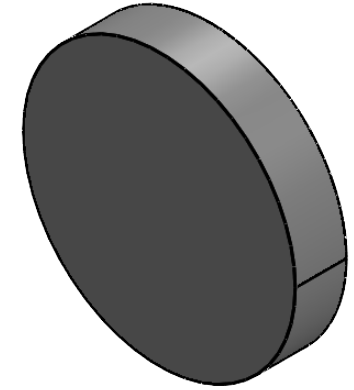


	R	k	A4	A6	A8	A10	A12	A14	A16
S1	12.78	-0.6	1.843e-06	-3.817e-09	-2.435e-11	3.173e-14	-3.700e-15	6.511e-17	-4.960e-19
S2	INFINITE	-	-	-	-	-	-	-	-

$$Z = \frac{Y^2}{R(1 + \sqrt{1 - (1 + K)Y^2/R^2})} + A_4Y^4 + A_6Y^6 + A_8Y^8 + A_{10}Y^{10} + A_{12}Y^{12} + A_{14}Y^{14} + A_{16}Y^{16}$$



NOTES:

1. MATERIAL: N-BK7, Or Equivalent Materials
2. DESIGN WAVELENGTH: 780.0 nm
3. NUMERICAL APERTURE: 0.22
4. FOCAL LENGTH: 25.0mm
5. FOCAL LENGTH TOLERANCE:  $\pm 1\%$
6. BACK FOCAL LENGTH(REF): BF=22.4 mm
7. CLEAR APERTURE:  $>90\%$ CA
8. DIAMETER TOLERANCE:  $+0.0/-0.1$  mm
9. THICKNESS TOLERANCE:  $\pm 0.1$  mm
10. CHAMFER: 0.2 mm,  $45^\circ$
11. WAVEFRONT ERROR(RMS):  $<0.5 \mu\text{m}$
12. SAG DEVIATION(POWER, S1):  $\pm 7.5 \mu\text{m}$
13. SURFACE IRREGULARITY(S1):  $<3$  FRINGES
14. SURFACE FLATNESS(S2):  $\lambda/4$
15. SURFACE QUALITY(S/D): 60/40
16. CENTRATION:  $<3$  arcmin
17. AR COATING (S1, S2): UNCOATED

DRAWING PROJECTION			<b>LBTEK</b>			
	NAME	DATE	AC1909			
DRAWN	SHAN	JUL./17th/25	ASPHERIC LENS			
APPROVAL	WCHENG	JUL./17th/25	MATERIAL	WEIGHT	SCALE	REV
FOR INFORMATION ONLY NOT FOR MANUFACTURING PURPOSES			N-BK7	1.00g	5:1	A