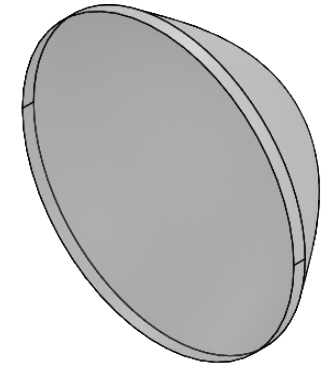
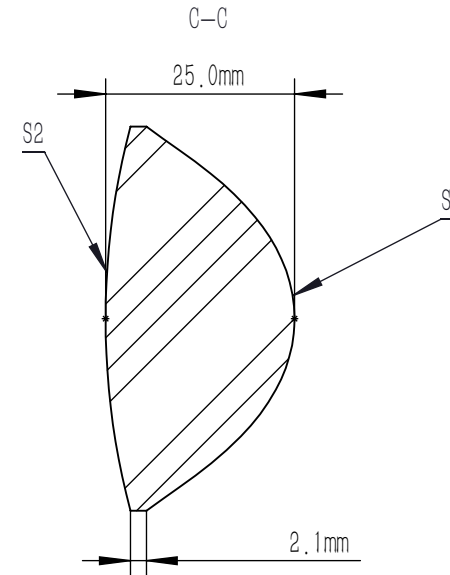
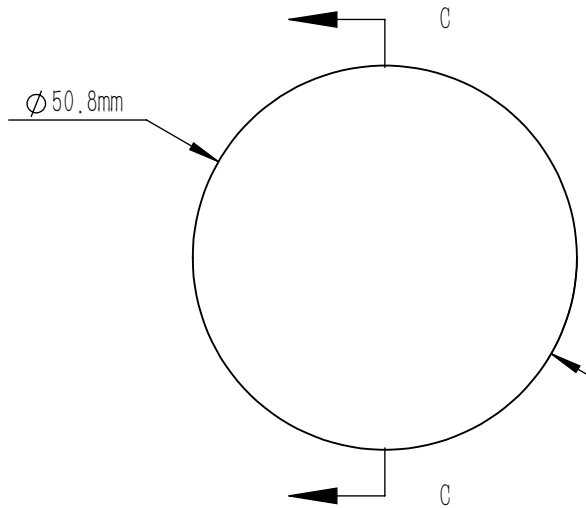


ASPHERIC COEFFICIENTS

| | R | k | A4 | A6 | A8 |
|----|-----------|------------|---------------|---------------|-----------------|
| S1 | 18.32253 | -0.7980728 | 3.4036234E-06 | 6.8362712E-09 | -1.9656086W-011 |
| S2 | -99.63679 | - | - | | |

ASPHERIC LENS EQUATION

$$z = \frac{Y^2}{R(1 + \sqrt{1 - (1 + k)Y^2/R^2})} + A_4Y^4 + A_6Y^6 + A_8Y^8$$



NOTES

1. MATERIAL: B270
2. DESIGN WAVELENGTH: 633.0 nm
3. WORKING WAVELENGTH: 400 nm-700 nm
4. NUMERICAL APERTURE: 0.76
5. f/#: 0.70
6. FOCAL LENGTH: 32.0 mm ±8%
7. BACK FOCAL LENGTH(REF): bf=16.9 mm
8. CLEAR APERTURE: >90%CA
9. CHAMFER: 0.2 mm, 45°
10. SURFACE QUALITY: 80-50 SCRATCH-DIG
11. CENTRATION: <30 arcmin
12. MAXIMUM TEMPERATURE: 250 °C(482 °F)
13. AR COATING: Ravg<0.5%@400 nm-700 nm, 6° AOI

| | | | | | | |
|--|--------|--------------|--|--------------|-------|-----|
| DRAWING PROJECTION | | | LBTEK | | | |
| | | | | | | |
| | | NAME | DATE | AC43032-A-SP | | |
| DRAWN | LTAN | Dec./21st/25 | Ø50.8 mm, F=32.0 mm, NA=0.76 ASPHERIC CONDENSER LENS AR COATING 400-700 nm | | | |
| APPROVAL | WCHENG | Dec./21st/25 | MATERIAL | WEIGHT | SCALE | REV |
| FOR INFORMATION ONLY NOT FOR MANUFACTURING PURPOSES | | | B270 | 70.8 g | 1:1 | A |