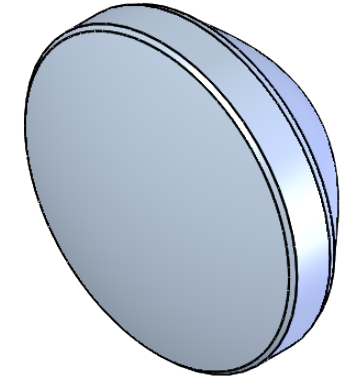
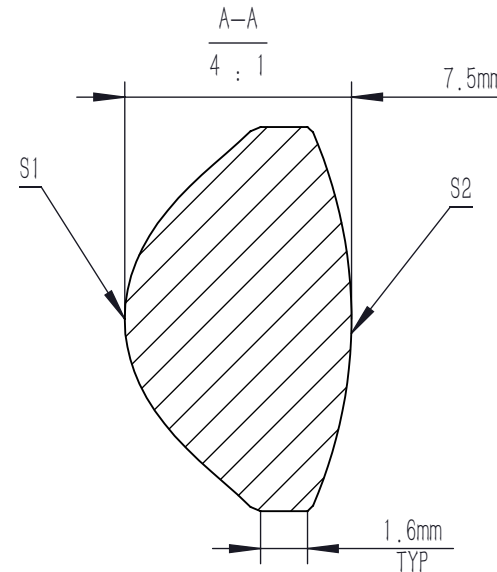
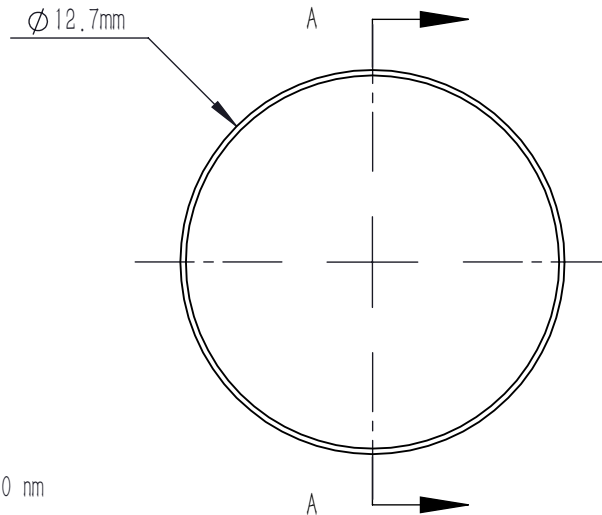


ASPHERIC COEFFICIENTS

	R	k	A4	A6	A8	A10	A12
S1	4.753124	-1.205071	5.3324183E-04	1.1162887E-05	-3.745566E-07	-7.6342017E-09	1.36022E-010
S2	-15.6494	-	-	-	-	-	-

ASPHERIC LENS EQUATION



NOTES

1. MATERIAL: B270
2. DESIGN WAVELENGTH: 633.0 nm
3. WORKING WAVELENGTH: 380 nm-2100 nm
4. NUMERICAL APERTURE: 0.78
5. F/#: 0.70
6. FOCAL LENGTH: 8.0 mm
7. FOCAL LENGTH TOLERANCE: ±8%
8. BACK FOCAL LENGTH(REF): bf=3.7 mm
9. CLEAR APERTURE: >90%CA
10. DIAMETER TOLERANCE: +0.0/-0.5 mm
11. THICKNESS TOLERANCE: ±0.3 mm
12. CHAMFER: 0.2 mm, 45°
13. SURFACE QUALITY: 80-50 SCRATCH-DIG
14. CENTRATION: <30 arcmin
15. MAXIMUM TEMPERATURE: 250 °C(482 °F)
16. COATING: WHITOUT AR COATING

$$z = \frac{Y^2}{R(1 + \sqrt{1 - (1+k)Y^2/R^2})} + A_4Y^4 + A_6Y^6 + A_8Y^8 + A_{10}Y^{10} + A_{12}Y^{12}$$

DRAWING PROJECTION			LBTEK			
	NAME	DATE	AC4301			
DRAWN	BSHU	Aug./1st/24	∅ 12.7 mm, F=8.0 mm, NA=0.78 ASPHERIC CONDENSER LENS UNCOATED			
APPROVAL	WCHENG	Aug./1st/24	MATERIAL	WEIGHT	SCALE	REV
FOR INFORMATION ONLY NOT FOR MANUFACTURING PURPOSES			B270	1.42g	5:1	A