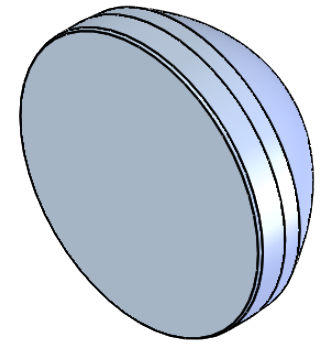
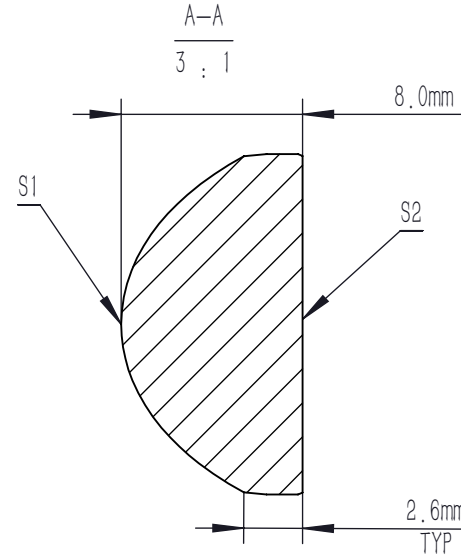
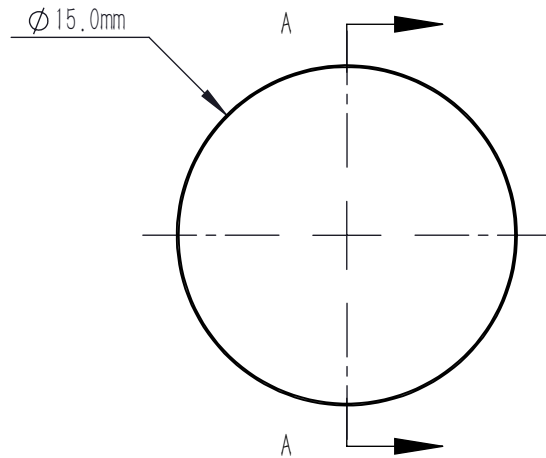


ASPHERIC COEFFICIENTS

	R	k	A4
S1	6.277	-0.6139	6.8E-05
S2	PLANO	-	-

$$z = \frac{Y^2}{R(1 + \sqrt{1 - (1 + k)Y^2/R^2})} + A_4Y^4$$

ASPHERIC LENS EQUATION



NOTES

- MATERIAL: B270
- DESIGN WAVELENGTH: 633.0 nm
- WORKING WAVELENGTH: 380 nm-2100 nm
- NUMERICAL APERTURE: 0.61
- F/#: 0.89
- FOCAL LENGTH: 12.0 mm
- FOCAL LENGTH TOLERANCE: ±8%
- BACK FOCAL LENGTH(REF): bf=7.0 mm
- CLEAR APERTURE: >90%CA
- DIAMETER TOLERANCE: +0.0/-0.5 mm
- THICKNESS TOLERANCE: ±0.3 mm
- CHAMFER: 0.2 mm, 45°
- SURFACE QUALITY: 80-50 SCRATCH-DIG
- CENTRATION: <30 arcmin
- MAXIMUM TEMPERATURE: 250°C(482°F)
- COATING: WHITOUT AR COATING

DRAWING PROJECTION			LBTEK			
	NAME	DATE	AC4403			
DRAWN	BSHU	Aug./1st/24	∅ 15.0 mm, F=12.0 mm, NA=0.61 ASPHERIC CONDENSER LENS UNCOATED			
APPROVAL	WCHENG	Aug./1st/24	MATERIAL	WEIGHT	SCALE	REV
FOR INFORMATION ONLY NOT FOR MANUFACTURING PURPOSES			B270	2.33g	5:1	A