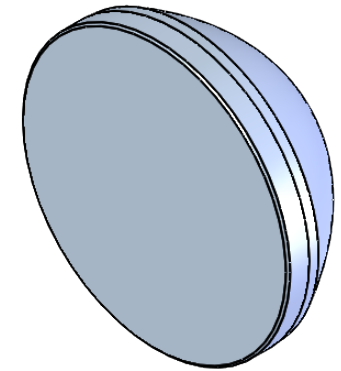
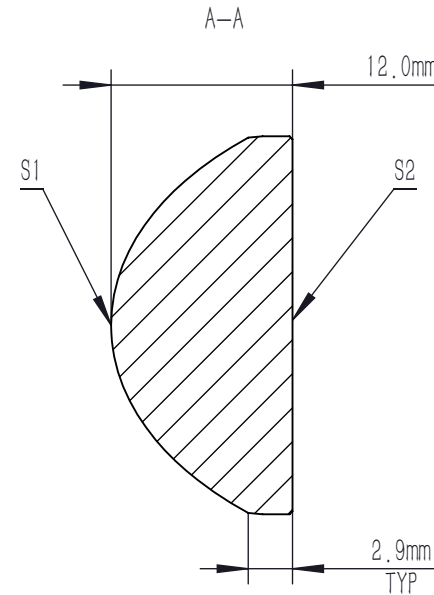
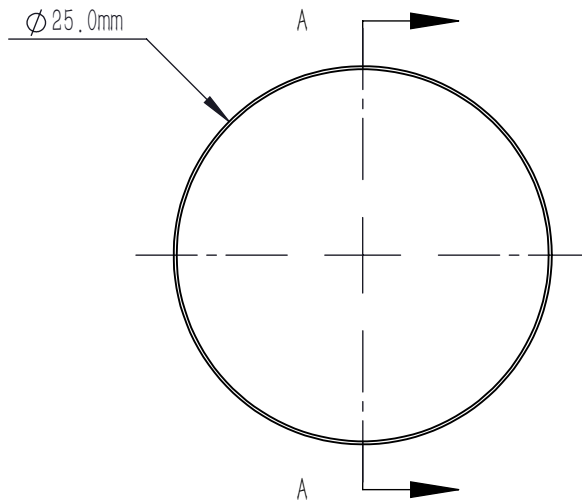


ASPHERIC COEFFICIENTS

	R	k	A4
S1	10.462	-0.6265	1.5E-05
S2	PLANO	-	-

$$z = \frac{Y^2}{R(1 + \sqrt{1 - (1 + k)Y^2/R^2})} + A_4Y^4$$

ASPHERIC LENS EQUATION



NOTES

- MATERIAL: B270
- DESIGN WAVELENGTH: 633.0 nm
- WORKING WAVELENGTH: 400 nm-700 nm
- NUMERICAL APERTURE: 0.60
- F/#: 0.89
- FOCAL LENGTH: 20.1 mm
- FOCAL LENGTH TOLERANCE: ±8%
- BACK FOCAL LENGTH(REF): bf=12.0 mm
- CLEAR APERTURE: >90%CA
- DIAMETER TOLERANCE: +0.0/-0.5 mm
- THICKNESS TOLERANCE: ±0.3 mm
- CHAMFER: 0.2 mm, 45°
- SURFACE QUALITY: 80-50 SCRATCH-DIG
- CENTRATION: <30 arcmin
- MAXIMUM TEMPERATURE: 250°C(482°F)
- AR COATING: Ravg<0.5%@400 nm-700 nm, 6° AOI

DRAWING PROJECTION			<b>LBTEK</b>			
		NAME	DATE	AC4606-A		
DRAWN	BSHU	Aug./1st/24	Ø 25.0 mm, F=20.1 mm, NA=0.60 ASPHERIC CONDENSER LENS AR COATING 400-700 nm			
APPROVAL	WCHENG	Aug./1st/24	MATERIAL	WEIGHT	SCALE	REV
FOR INFORMATION ONLY NOT FOR MANUFACTURING PURPOSES			B270	9.24g	2:1	A