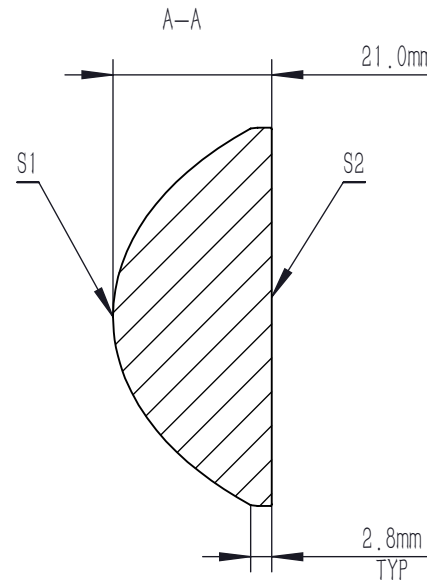
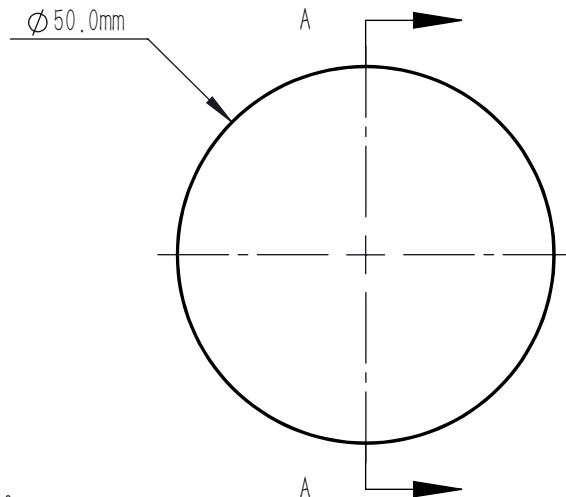


ASPHERIC LENS EQUATION

	R	k	A4
S1	20.923	-0.6405	2.0E-06
S2	PLANO	-	-

$$z = \frac{Y^2}{R(1 + \sqrt{1 - (1 + k)Y^2/R^2})} + A_4Y^4$$

ASPHERIC COEFFICIENTS



NOTES

- DESIGN WAVELENGTH: 633.0 nm
- CLEAR APERTURE: >90%CA
- OPERATION WAVELENGTH: 350 nm-700 nm
- NUMERICAL APERTURE: 0.60
- F/#: 0.89
- DIAMETER TOLERANCE: +0.0/-0.5 mm
- THICKNESS TOLERANCE: ±0.3 mm
- FOCAL LENGTH: 40.0 mm±8%
- BACK FOCAL LENGTH(REF): 26.0 mm
- SURFACE QUALITY(S1): 80/50 (S/D)
- FROSTED NUMBER(S2): 600MESH
- CENTRATION: <30 arcmin
- CHAMFER: <0.2 mm, 45°
- COATING(S1): AR COATING Ravg<0.5%@350 nm-700 nm

DRAWING PROJECTION			LBTEK			
	NAME	DATE	AC4807-DG600-A			
DRAWN	BSHU	Aug./1st/24	Ø 40.0 mm, F=26.0 mm, NA=0.6 ASPHERIC CONDENSER LENS AR COATING 350-700 nm			
APPROVAL	WCHENG	Aug./1st/24	MATERIAL	WEIGHT	SCALE	REV
FOR INFORMATION ONLY NOT FOR MANUFACTURING PURPOSES			B270	59.70g	1:1	A