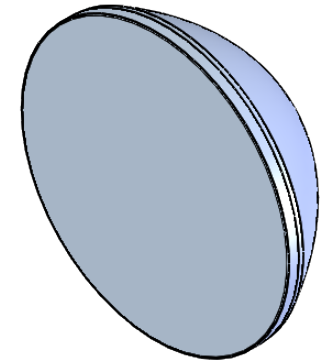
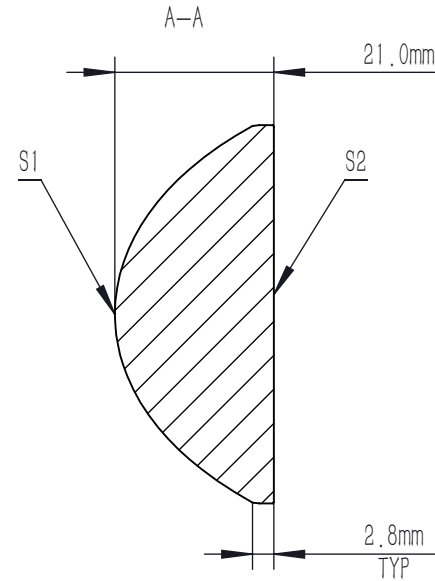
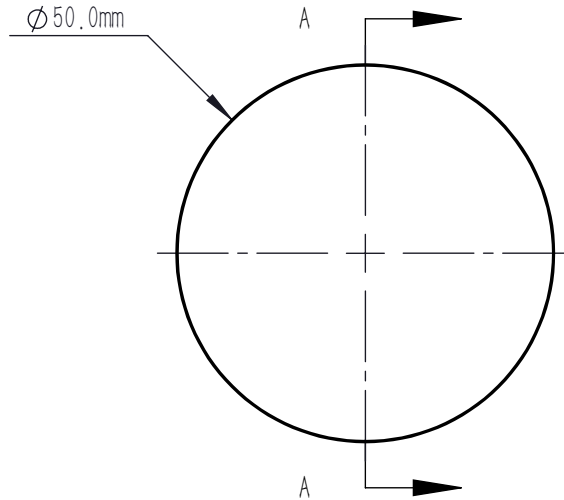


ASPHERIC COEFFICIENTS

	R	k	A4
S1	20.923	-0.6405	2.0E-06
S2	PLANO	-	-

$$z = \frac{Y^2}{R(1 + \sqrt{1 - (1 + k)Y^2/R^2})} + A_4Y^4$$

ASPHERIC LENS EQUATION



NOTES

1. MATERIAL: B270
2. DESIGN WAVELENGTH: 633.0 nm
3. WORKING WAVELENGTH: 380 nm-2100 nm
4. NUMERICAL APERTURE: 0.60
5. F/#: 0.89
6. FOCAL LENGTH: 40.0 mm
7. FOCAL LENGTH TOLERANCE: ±8%
8. BACK FOCAL LENGTH(REF): bf=26.0 mm
9. CLEAR APERTURE: >90%CA
10. DIAMETER TOLERANCE: +0.0/-0.5 mm
11. THICKNESS TOLERANCE: ±0.3 mm
12. CHAMFER: 0.2 mm, 45°
13. SURFACE QUALITY: 80-50 SCRATCH-DIG
14. CENTRATION: <30 arcmin
15. MAXIMUM TEMPERATURE: 250 °C(482 °F)
16. COATING: WHITOUT AR COATING

DRAWING PROJECTION			<b>LBTEK</b>			
	NAME	DATE	AC4807			
DRAWN	BSHU	Aug./1st/24	Ø 50.0 mm, F=40.0 mm, NA=0.60 ASPHERIC CONDENSER LENS UNCOATED			
APPROVAL	WCHENG	Aug./1st/24	MATERIAL	WEIGHT	SCALE	REV
FOR INFORMATION ONLY NOT FOR MANUFACTURING PURPOSES			B270	59.70g	1:1	A