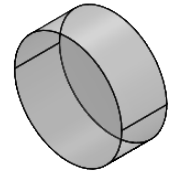
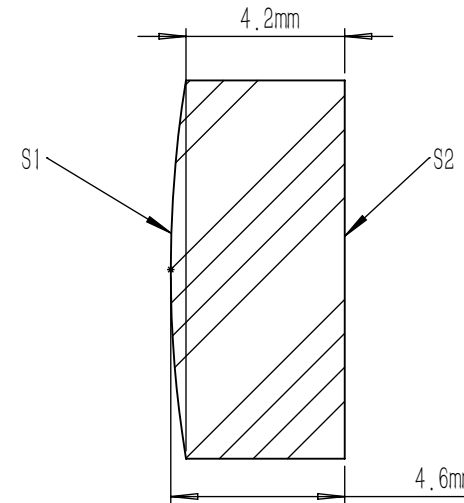
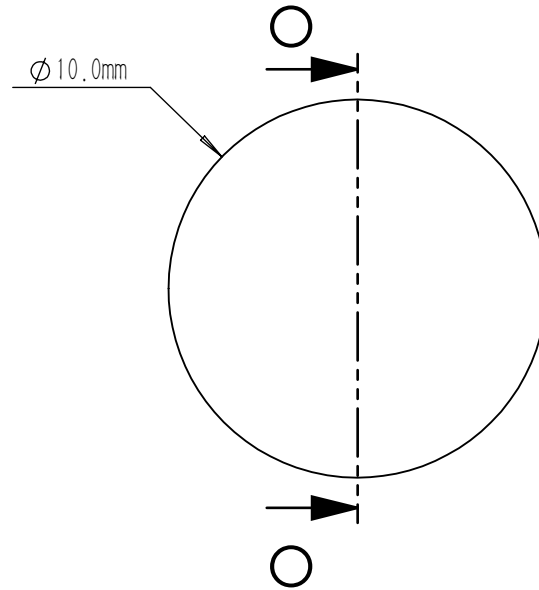


	TYPE	SHAPE	CA	R	k	A4	A6	A8	A10	A12
S1	ASPHERE	CX	∅9.00	31.076	-1.711	4.199E-6	-1.074E-9	-5.076E-12	5.162E-14	-1.653E-16
S2	PLANO	PL	∅9.00	-	0	0	0	0	0	0

$$Z = \frac{Y^2}{R(1 + \sqrt{1 - (1 + K)Y^2 / R^2})} + \sum_i A_{2i} r^{2i}$$



NOTES:

1. MATERIAL: S-LAH64
2. DESIGN WAVELENGTH: 780.0 nm
3. NUMERICAL APERTURE: 0.056
4. FOCAL LENGTH: 40.0 mm
5. FOCAL LENGTH TOLERANCE: ±1 %
6. BACK FOCAL LENGTH(REF): bf=37.4 mm
7. CLEAR APERTURE: >90 %CA
8. CHAMFER: 0.2 mm, 45 °
9. WAVEFRONT ERROR(RMS): <0.5 μm
10. SAG DEVIATION(POWER, S1): ±7.5 μm
11. SURFACE IRREGULARITY(S1): <3 FRINGES
12. SURFACE FLATNESS(S2): λ / 4
13. SURFACE QUALITY: 60-40 SCRATCH-DIG
14. CENTRATION: <3 arcmin
15. AR COATING (S1, S2): Ravg<0.5 %@700-1100 nm, 6° AOI

0-0

DRAWING PROJECTION			LBTEK			
	NAME	DATE	AC7107-B			
DRAWN	LTAN	Dec./21st/25	ASPHERIC LENS			
APPROVAL	WZCHENG	Dec./21st/25	MATERIAL	WEIGHT	SCALE	REV
FOR INFORMATION ONLY NOT FOR MANUFACTURING PURPOSES			S-LAH64	1.49 g	5:1	A