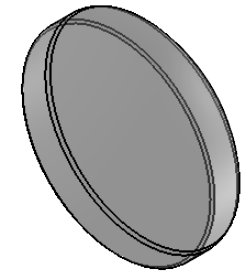


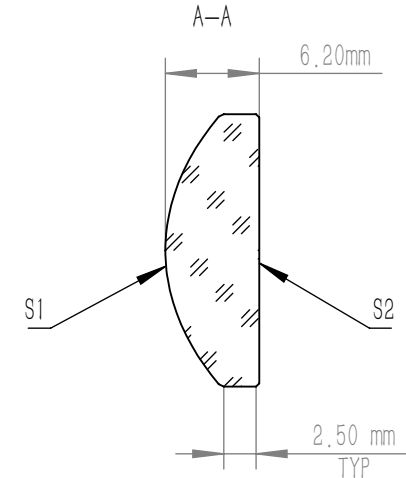
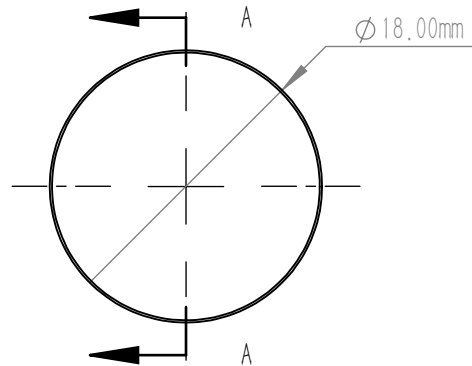
非球面系数

	R	K	A4	A6	A8	A10	A12	A14	A16
S1	11.65	-1.1	3.6906721E-05	-1.2854612E-8	-1.4001677E-10	-2.5131166E-13	5.0178988E-16	5.8558715E-18	-1.1277944E-20
S2	inf.	-	-	-	-	-	-	-	-



非球面方程

$$Z = \frac{Y^2}{R(1 + \sqrt{1 - (1 + K)Y^2/R^2})} + A_4Y^4 + A_6Y^6 + A_8Y^8 + A_{10}Y^{10} + A_{12}Y^{12} + A_{14}Y^{14} + A_{16}Y^{16}$$



NOTES:

1. MATERIAL: S-LAH64
2. DESIGN WAVELENGTH: 780.0 nm
3. NUMERICAL APERTURE: 0.48
4. FOCAL LENGTH: 15.0 mm
5. FOCAL LENGTH TOLERANCE: $\pm 1\%$
6. BACK FOCAL LENGTH(REF): BF=11.5 mm
7. CLEAR APERTURE: $>90\%$ CA
8. DIAMETER TOLERANCE: $+0.0/-0.1$ mm
9. THICKNESS TOLERANCE: ± 0.1 mm
10. CHAMFER: 0.2 mm, 45
11. WAVEFRONT ERROR(RMS): $<0.5 \mu\text{m}$
12. SAG DEVIATION(POWER, S1): $7.5 \mu\text{m}$
13. SURFACE IRREGULARITY(S1): <3 FRINGES
14. SURFACE QUALITY: 60-40 SCRATCH-DIG
15. CENTRATION: <3 arcmin
16. AR COATING (S1, S2): $R_{\text{avg}} < 0.5\%$ @400-700 nm, 0° AOI

DRAWING PROJECTION			LBTEK			
NAME	DATE	AC7304-A				
DRAWN	SHAN	NOV./14th/25	Aspheric lenses			
APPROVAL	WCHENG	NOV./14th/25	MATERIAL	WEIGHT	SCALE	REV
FOR INFORMATION ONLY NOT FOR MANUFACTURING PURPOSES			S-LAH64	5.47 g	2:1	A