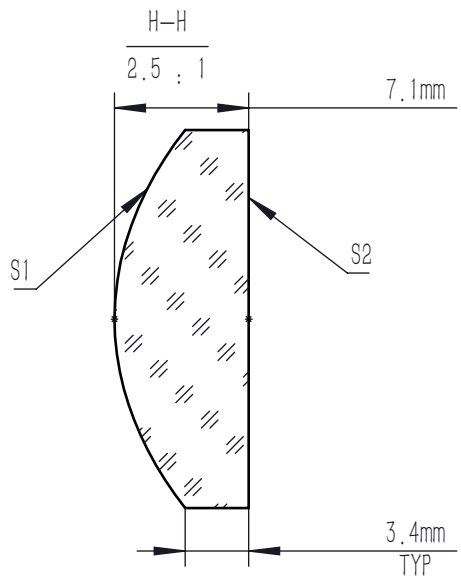
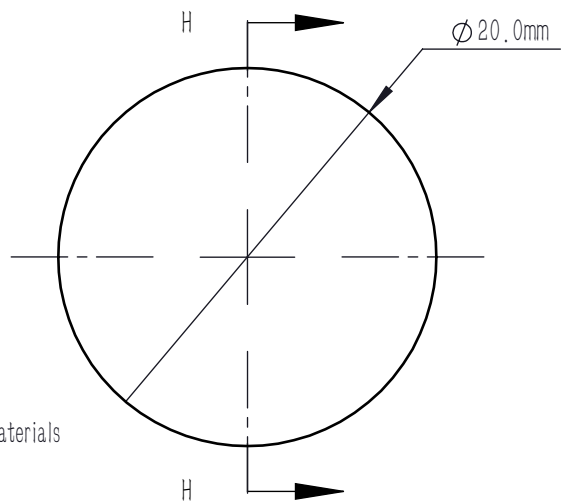
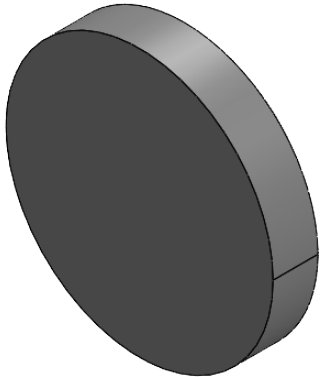


| | | | | | | | | |
|----|----------|------|-----------|------------|------------|------------|-----------|-----------|
| | R | k | A4 | A6 | A8 | A10 | A12 | A14 |
| S1 | 13.98 | -1.4 | 3.488e-05 | -2.321e-08 | -1.536e-11 | -8.167e-14 | 1.567e-16 | 2.264e-19 |
| S2 | INFINITE | - | - | - | - | - | - | - |

$$Z = \frac{Y^2}{R(1 + \sqrt{1 - (1 + K)Y^2 / R^2})} + A_4 Y^4 + A_6 Y^6 + A_8 Y^8 + A_{10} Y^{10} + A_{12} Y^{12} + A_{14} Y^{14}$$



NOTES:

- MATERIAL: S-LAH64, or Equivalent Materials
- DESIGN WAVELENGTH: 780.0 nm
- NUMERICAL APERTURE: 0.45
- FOCAL LENGTH: 18 mm
- FOCAL LENGTH TOLERANCE: $\pm 1\%$
- BACK FOCAL LENGTH(REF): BF=14.0 mm
- CLEAR APERTURE: $>90\%$ CA
- DIAMETER TOLERANCE: $+0.0/-0.1$ mm
- THICKNESS TOLERANCE: ± 0.1 mm
- CHAMFER: 0.2 mm, 45°
- WAVEFRONT ERROR(RMS): $<0.5 \mu\text{m}$
- SAG DEVIATION(POWER, S1): $\pm 7.5 \mu\text{m}$
- SURFACE IRREGULARITY(S1): <3 FRINGES
- SURFACE FLATNESS(S2): $\lambda/4$
- SURFACE QUALITY(S/D): 60/40
- CENTRATION: <3 arcmin
- AR COATING (S1, S2): Ravg $<0.5\%$ @400 nm-700 nm, 6 AOI, Single Surface

| | | | | | | |
|--|--------|--------------|---------------|----------|-------|-----|
| DRAWING PROJECTION | | | LBTEK | | | |
| | | | | | | |
| | | NAME | DATE | AC7405-A | | |
| DRAWN | ZLIN | Nov./15th/25 | ASPHERIC LENS | | | |
| APPROVAL | WCHENG | Nov./15th/25 | MATERIAL | WEIGHT | SCALE | REV |
| FOR INFORMATION ONLY NOT FOR MANUFACTURING PURPOSES | | | S-LAH64 | 8.08g | 2.5:1 | A |