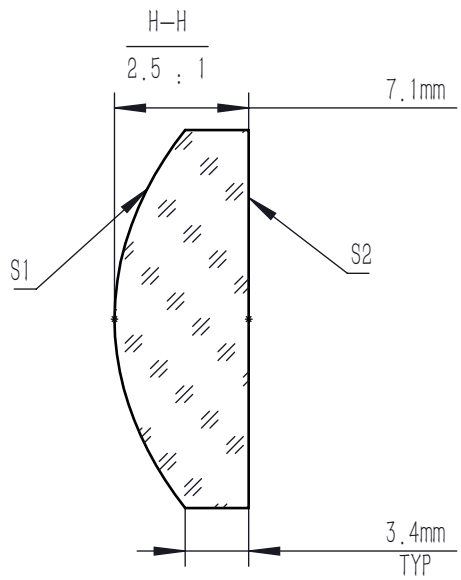
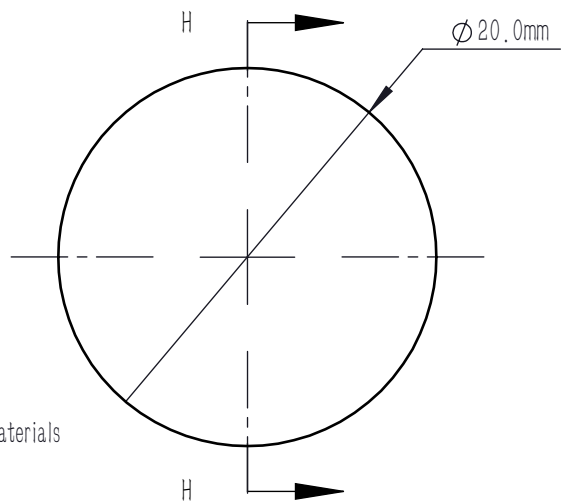
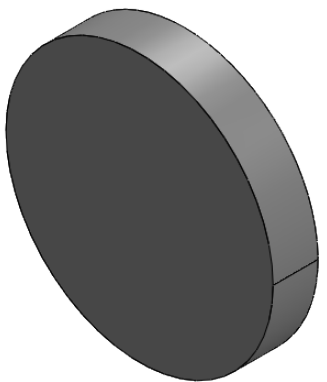


	R	k	A4	A6	A8	A10	A12	A14
S1	13.98	-1.4	3.488e-05	-2.321e-08	-1.536e-11	-8.167e-14	1.567e-16	2.264e-19
S2	INFINITE	-	-	-	-	-	-	-

$$Z = \frac{Y^2}{R(1 + \sqrt{1 - (1 + K)Y^2 / R^2})} + A_4 Y^4 + A_6 Y^6 + A_8 Y^8 + A_{10} Y^{10} + A_{12} Y^{12} + A_{14} Y^{14}$$



NOTES:

1. MATERIAL: S-LAH64, or Equivalent Materials
2. DESIGN WAVELENGTH: 780.0 nm
3. NUMERICAL APERTURE: 0.45
4. FOCAL LENGTH: 18 mm
5. FOCAL LENGTH TOLERANCE: ±1 %
6. BACK FOCAL LENGTH(REF): BF=14.0 mm
7. CLEAR APERTURE: >90 %CA
8. DIAMETER TOLERANCE: +0.0/-0.1 mm
9. THICKNESS TOLERANCE: ±0.1 mm
10. CHAMFER: 0.2 mm, 45°
11. WAVEFRONT ERROR(RMS): <0.5 μm
12. SAG DEVIATION(POWER, S1): ±7.5 μm
13. SURFACE IRREGULARITY(S1): <3 FRINGES
14. SURFACE FLATNESS(S2): λ/4
15. SURFACE QUALITY(S/D): 60/40
16. CENTRATION: <3 arcmin
17. AR COATING (S1, S2): Ravg<0.5 %@1050 nm-1700 nm, 6° AOI, Single Surface

DRAWING PROJECTION			LBTEK			
		NAME	DATE	AC7405-C		
DRAWN	ZLIN	Nov./15th/25	ASPHERIC LENS			
APPROVAL	WCHENG	Nov./15th/25	MATERIAL	WEIGHT	SCALE	REV
FOR INFORMATION ONLY NOT FOR MANUFACTURING PURPOSES			S-LAH64	8.08g	2.5:1	A