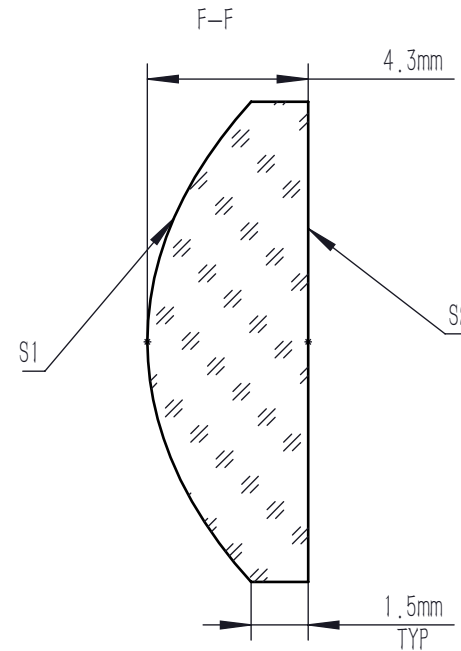
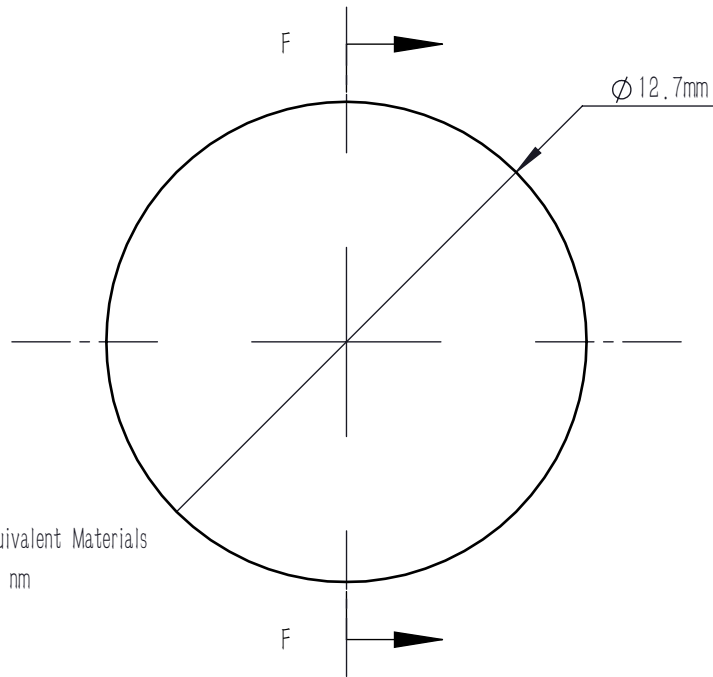
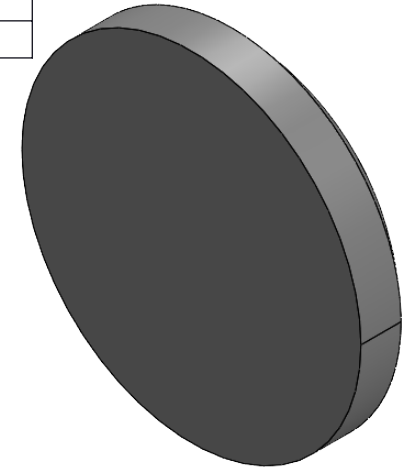


	R	k	A4	A6	A8	A10	A12	A14	A16
S1	7.770	-1	9.846e-05	-6.991e-08	-2.387e-09	-1.133e-11	8.762e-14	2.897e-16	1.763e-18
S2	INFINITE	-	-	-	-	-	-	-	-

$$Z = \frac{Y^2}{R(1 + \sqrt{1 - (1 + K)Y^2 / R^2})} + A_4 Y^4 + A_6 Y^6 + A_8 Y^8 + A_{10} Y^{10} + A_{12} Y^{12} + A_{14} Y^{14} + A_{16} Y^{16}$$



NOTES:

1. MATERIAL: S-LAH64, or Equivalent Materials
2. DESIGN WAVELENGTH: 780.0 nm
3. NUMERICAL APERTURE: 0.50
4. FOCAL LENGTH: 10.0 mm
5. FOCAL LENGTH TOLERANCE:  $\pm 1\%$
6. BACK FOCAL LENGTH(REF): BF=7.6 mm
7. CLEAR APERTURE:  $>90\%$  CA
8. DIAMETER TOLERANCE:  $+0.0/-0.1$  mm
9. THICKNESS TOLERANCE:  $\pm 0.1$  mm
10. CHAMFER: 0.2 mm,  $45^\circ$
11. WAVEFRONT ERROR(RMS):  $<0.5 \mu\text{m}$
12. SAG DEVIATION(POWER, S1):  $\pm 7.5 \mu\text{m}$
13. SURFACE IRREGULARITY(S1):  $<3$  FRINGES
14. SURFACE FLATNESS(S2):  $\lambda/4$
15. SURFACE QUALITY(S/D): 60/40
16. CENTRATION:  $<3$  arcmin
17. AR COATING (S1, S2): UNCOATED

DRAWING PROJECTION			<b>LBTEK</b>			
	NAME	DATE	AC7908			
DRAWN	ZLIN	Nov./15th/25	ASPHERIC LENS			
APPROVAL	WCHENG	Nov./15th/25	MATERIAL	WEIGHT	SCALE	REV
FOR INFORMATION ONLY NOT FOR MANUFACTURING PURPOSES			S-LAH64	1.58g	5:1	A