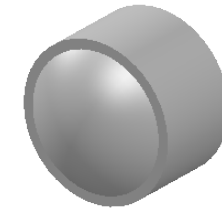


ASPHERIC COEFFICIENTS

	R	k	A4	A6	A8
S1	2.591249	-0.902951	2.903858E-03	1.043666E-04	3.714989E-06
S2	PLANO	-	-	-	-

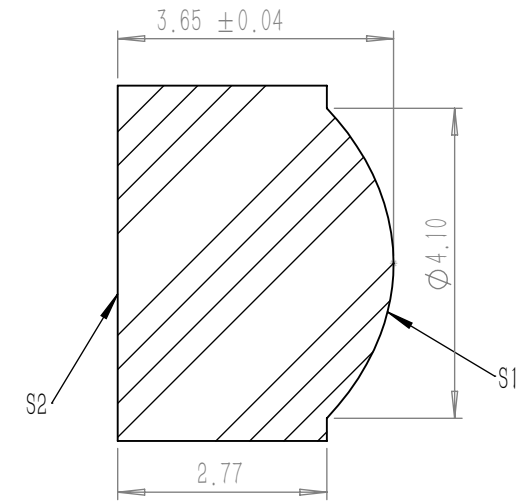
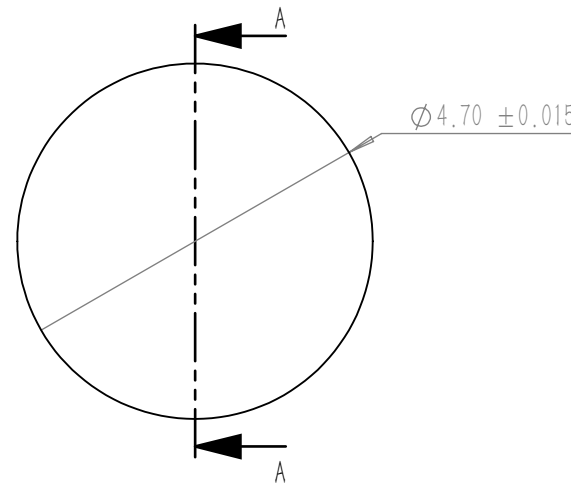


ASPHERIC LENS EQUATION

$$z = \frac{Y^2}{R(1+\sqrt{1-(1+k)Y^2/R^2})} + A_4Y^4 + A_6Y^6 + A_8Y^8$$

NOTES

1. MATERIAL: D-ZK3
2. DESIGN WAVELENGTH: 980.0 nm
3. WORKING WAVELENGTH: 700 nm-1100 nm
4. CLEAR APERTURE: (S1) ϕ 3.70 mm, (S2) ϕ 2.05 mm
5. NUMERICAL APERTURE: 0.4
6. FOCAL LENGTH: 4.5 mm
7. FOCAL LENGTH TOLERANCE: $\pm 1.0\%$
8. BACK FOCAL LENGTH(REF): bf=2.2 mm
9. DIAMETER TOLERANCE: ± 0.015 mm
10. THICKNESS TOLERANCE: ± 0.04 mm
11. CHAMFER: 0.2 mm, 45°
12. SURFACE QUALITY: 40-20 SCRATCH-DIG
13. CENTRATION: < 30 arcmin
14. MAXIMUM TEMPERATURE: 250 °C(482 °F)
15. AR COATING: Ravg $< 0.5\%$ @700 nm-1100 nm, 0°AOI



剖面 A-A

DRAWING PROJECTION			LBTEK			
	NAME	DATE	AC90518-B			
DRAWN	BSHU	Aug./1st/24	ϕ 4.7 mm, F=4.5 mm ASPHERIC CONDENSER LENS AR COATING 700-1100 nm			
APPROVAL	WCHENG	Aug./1st/24	MATERIAL	WEIGHT	SCALE	REV
FOR INFORMATION ONLY NOT FOR MANUFACTURING PURPOSES			D-ZK3	0.15g	10:1	A