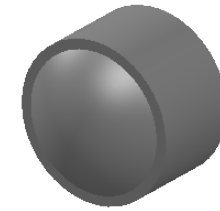


ASPHERIC COEFFICIENTS

| | | | | | |
|----|----------|-----------|--------------|--------------|--------------|
| | R | k | A4 | A6 | A8 |
| S1 | 2.591249 | -0.902951 | 2.903858E-03 | 1.043666E-04 | 3.714989E-06 |
| S2 | PLANO | - | - | - | - |

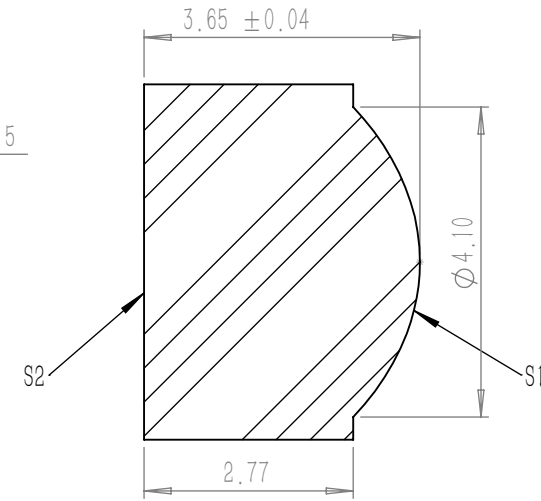
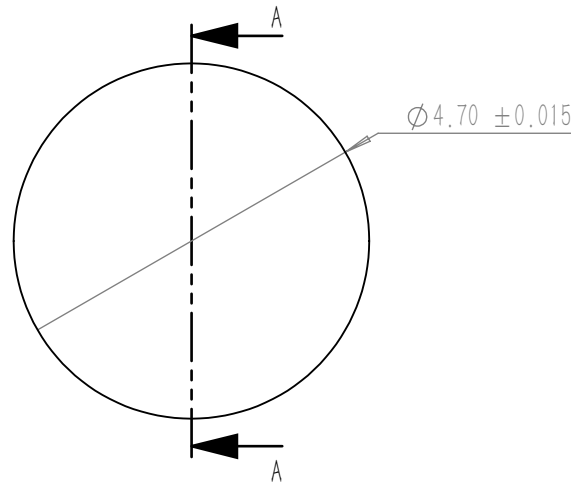


ASPHERIC LENS EQUATION

$$z = \frac{Y^2}{R(1+\sqrt{1-(1+k)Y^2/R^2})} + A_4Y^4 + A_6Y^6 + A_8Y^8$$

NOTES

1. MATERIAL: D-ZK3
2. DESIGN WAVELENGTH: 980.0 nm
3. WORKING WAVELENGTH: 290 nm-2400 nm
4. CLEAR APERTURE: (S1) ϕ 3.70 mm, (S2) ϕ 2.05 mm
5. NUMERICAL APERTURE: 0.4
6. FOCAL LENGTH: 4.5 mm
7. FOCAL LENGTH TOLERANCE: $\pm 1.0\%$
8. BACK FOCAL LENGTH(REF): bf=2.2 mm
9. DIAMETER TOLERANCE: ± 0.015 mm
10. THICKNESS TOLERANCE: ± 0.04 mm
11. CHAMFER: 0.2 mm, 45°
12. SURFACE QUALITY: 40-20 SCRATCH-DIG
13. CENTRATION: < 30 arcmin
14. MAXIMUM TEMPERATURE: 250°C(482°F)
15. AR COATING: UNCOATED



剖面 A-A

| | | | | | | |
|--|--------|-------------|--|--------|-------|-----|
| DRAWING PROJECTION | | | LBTEK | | | |
| | NAME | DATE | | | | |
| DRAWN | BSHU | Aug./1st/24 | ϕ 4.7 mm, F=4.5 mm ASPHERIC CONDENSER LENS UNCOATED | | | |
| APPROVAL | WCHENG | Aug./1st/24 | MATERIAL | WEIGHT | SCALE | REV |
| FOR INFORMATION ONLY NOT FOR MANUFACTURING PURPOSES | | | D-ZK3 | 0.08g | 10:1 | A |