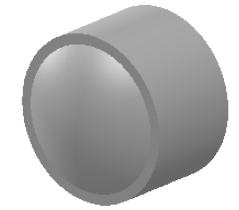


ASPHERIC COEFFICIENTS

	R	k	A4	A6	A8	A10
S1	3.623129	-1.420775	2.353460E-03	-8.438695E-07	5.362336E-07	-7.978766E-09
S2	PLANO	-	-	-	-	-

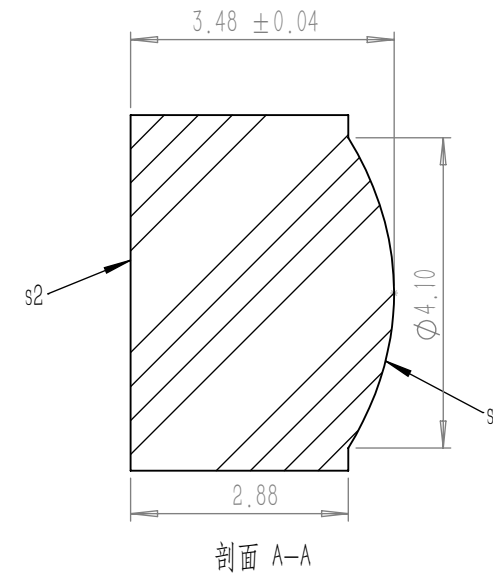
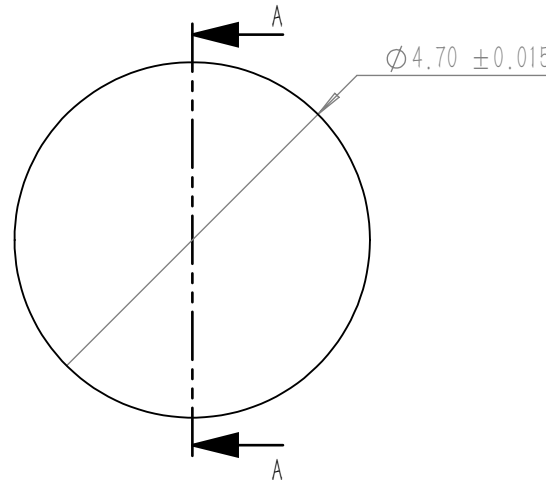


ASPHERIC LENS EQUATION

$$z = \frac{Y^2}{R(1 + \sqrt{1 - (1 + k)Y^2/R^2})} + A_4Y^4 + A_6Y^6 + A_8Y^8 + A_{10}Y^{10}$$

NOTES

1. MATERIAL: D-ZK3
2. DESIGN WAVELENGTH: 633.0 nm
3. WORKING WAVELENGTH: 700 nm-1100 nm
4. CLEAR APERTURE: (S1)  $\phi$ 3.70 mm, (S2)  $\phi$ 2.05 mm
5. NUMERICAL APERTURE: 0.3
6. FOCAL LENGTH: 6.2 mm
7. FOCAL LENGTH TOLERANCE:  $\pm 1.0\%$
8. BACK FOCAL LENGTH(REF): bf=4.1 mm
9. DIAMETER TOLERANCE:  $\pm 0.015$  mm
10. THICKNESS TOLERANCE:  $\pm 0.04$  mm
11. CHAMFER: 0.2 mm, 45°
12. SURFACE QUALITY: 80-50 SCRATCH-DIG
13. WAVE FRONT ERROR:  $< 0.087 \lambda$  RMS@632.8 nm
14. CENTRATION:  $< 30$  arcmin
15. MAXIMUM TEMPERATURE: 250 °C(482 °F)
16. AR COATING: Ravg $< 0.5\%$ @700 nm-1100 nm, 0°AOI



DRAWING PROJECTION			<b>LBTEK</b>			
		NAME	DATE	AC90519-B		
DRAWN	BSHU	Aug./1st/24	$\phi$ 4.7 mm, F=6.2 mm ASPHERIC CONDENSER LENS AR COATING 700-1100 nm			
APPROVAL	WCHENG	Aug./1st/24	MATERIAL	WEIGHT	SCALE	REV
FOR INFORMATION ONLY NOT FOR MANUFACTURING PURPOSES			D-ZK3	0.15g	10:1	A