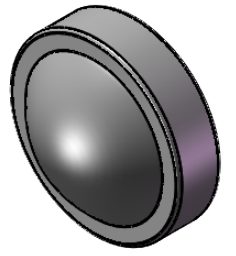
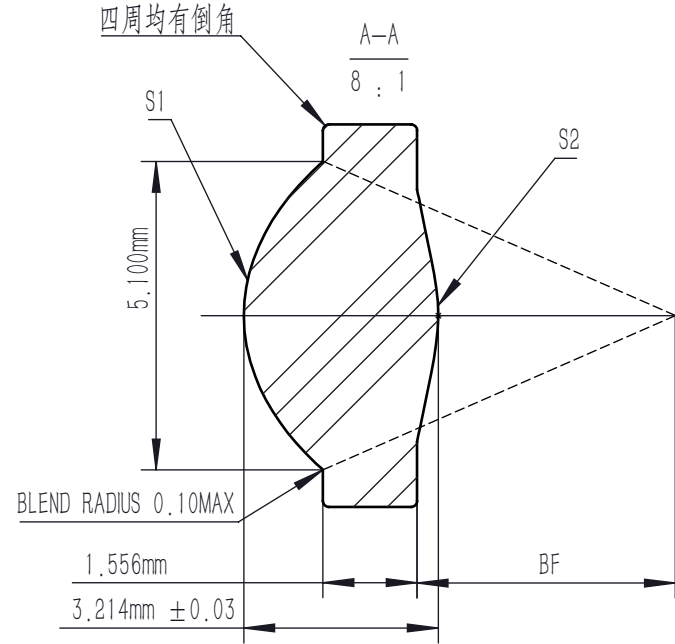
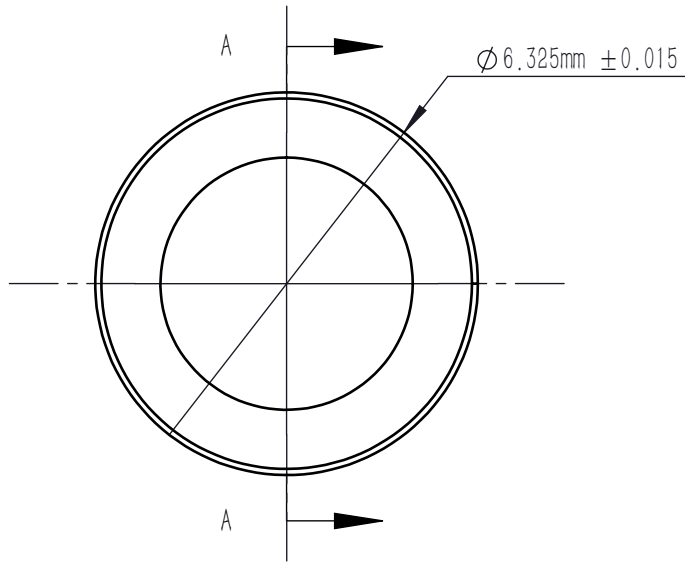


	TYPE	SHAPE	CA	R	k	A4	A6	A8	A10	A12	A14	A16
S1	ASPHERE	CX	∅5.00	2.725382	-0.542123	-2.077710E-5	-1.373930E-4	2.029328E-5	-2.961194E-6	0	0	0
S2	PLANO	PL	∅3.84	-2.979042	-12.105853	8.068905E-3	-1.725894E-3	1.839072E-4	-8.936267E-6	0	0	0

$$Z = \frac{Y^2}{R(1 + \sqrt{1 - (1 + K)Y^2/R^2})} + \sum_i A_{2i} r^{2i}$$



NOTE

1. MATERIAL: D-ZK3
2. DESIGN WAVELENGTH: 830 nm
3. WORKING WAVELENGTH: 290 nm-2400 nm
4. NUMERICAL APERTURE: 0.7
5. FOCAL LENGTH: 3.1 mm
6. FOCAL LENGTH TOLERANCE: ±1%
7. BACK FOCAL LENGTH(REF): BF=1.8 mm
8. CHAMFER: <0.2 mm, 45°
9. SURFACE QUALITY: 40-20 SCRATCH-DIG
10. CENTRATION: <30 arcmin
11. AR COATING: UNCOATED

DRAWING PROJECTION			LBTEK			
		NAME	DATE	AC90621		
DRAWN	BSHU	Aug./1st/24	ASPHERIC CONDENSER LENS ∅=6.325 mm f=3.1 mm			
APPROVAL	WCHENG	Aug./1st/24	MATERIAL	WEIGHT	SCALE	REV
FOR INFORMATION ONLY NOT FOR MANUFACTURING PURPOSES			D-ZK3	0.18g	20:1	A