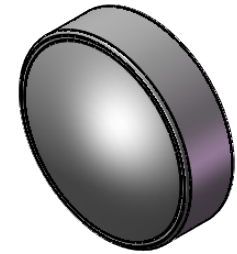
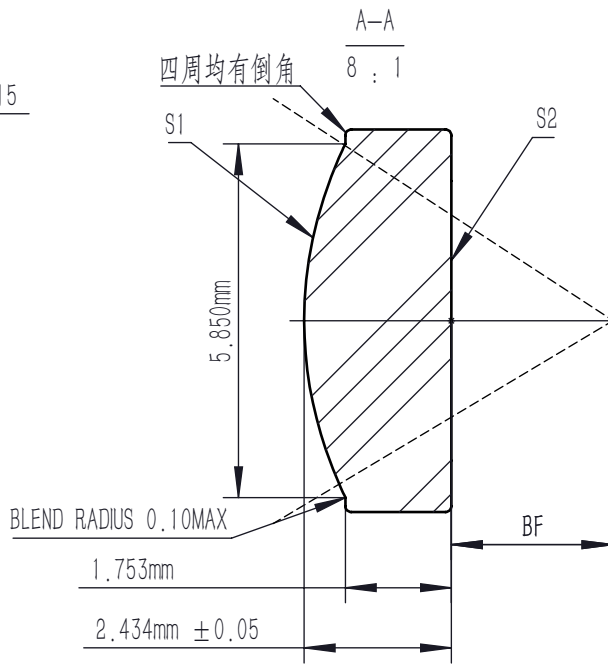
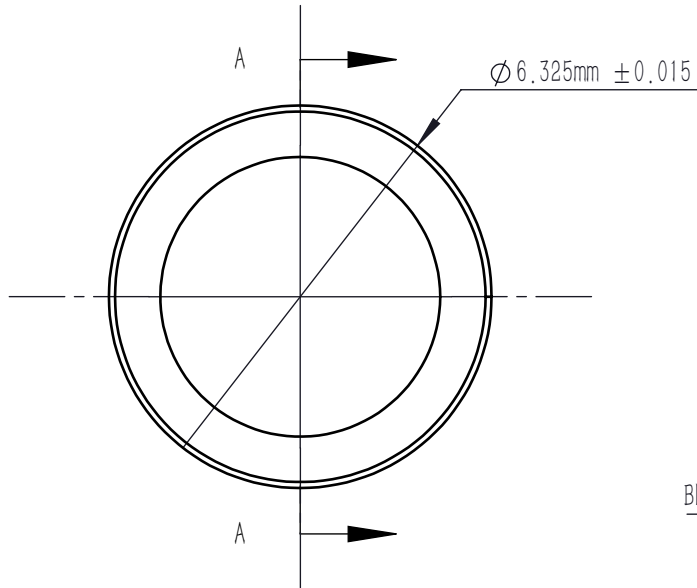


	TYPE	SHAPE	CA	R	k	A4	A6	A8	A10	A12	A14	A16
S1	ASPHERE	CX	∅5.20	6.428042	-0.578747	2.792924E-6	-3.958166E-7	-1.124255E-9	-3.446196E	0	0	0
S2	PLANO	PL	∅4.63	PLANO	0	0	0	0	0	0	0	0

$$Z = \frac{Y^2}{R(1 + \sqrt{1 - (1 + K)Y^2/R^2})} + \sum_i A_{2i} r^{2i}$$



NOTE

1. MATERIAL: D-ZK3
2. DESIGN WAVELENGTH: 780 nm
3. WORKING WAVELENGTH: 290 nm-2400 nm
4. NUMERICAL APERTURE: 0.2
5. FOCAL LENGTH: 11 mm
6. FOCAL LENGTH TOLERANCE: ±1.0%
7. BACK FOCAL LENGTH(REF): BF=9.6 mm
8. CHAMFER: <0.2 mm, 45°
9. SURFACE QUALITY: 60-40 SCRATCH-DIG
10. CENTRATION: <30 arcmin
11. AR COATING: UNCOATED

DRAWING PROJECTION				<h1 style="color: red; margin: 0;">LBTEK</h1>					
		NAME		DATE		AC90635			
DRAWN		BSHU		Aug./1st/24		ASPHERIC CONDENSER LENS ∅=6.325 mm f=11 mm			
APPROVAL		WCHENG		Aug./1st/24		MATERIAL	WEIGHT	SCALE	REV
FOR INFORMATION ONLY NOT FOR MANUFACTURING PURPOSES						D-ZK3	0.18g	20:1	A