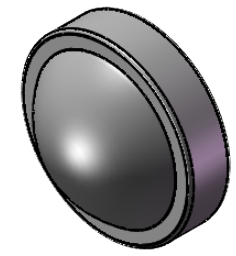
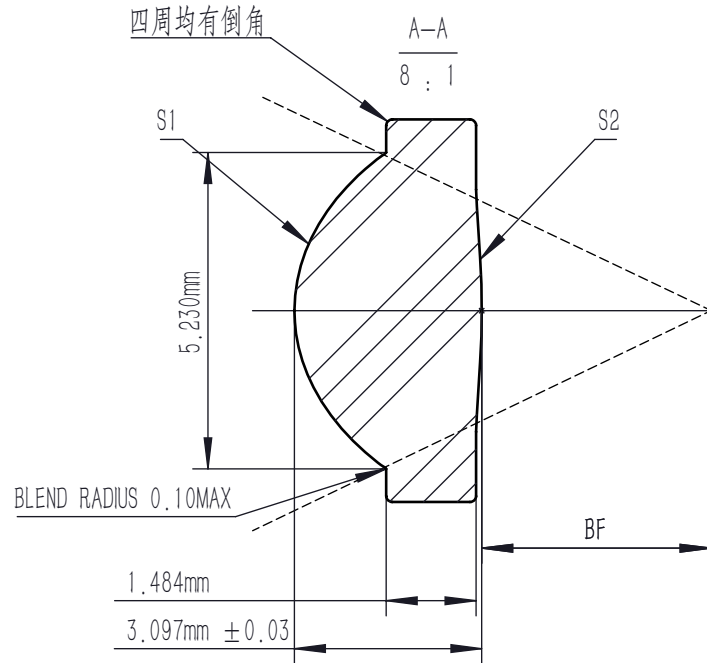
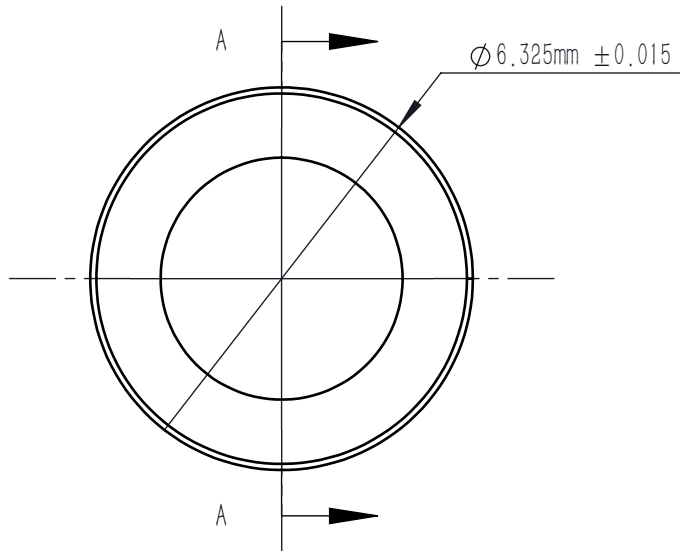


	TYPE	SHAPE	CA	R	k	A4	A6	A8	A10	A12	A14	A16
S1	ASPHERE	CX	∅5.10	2.619752	-0.44952	-53267410E-4	-4.782383E-5	-3.558253E-6	1.813169E-7	0	0	0
S2	PLANO	PL	∅3.77	-12.675230	0	4.463095E-3	-8.996535E-5	-1.601088E-6	0	0	0	0

$$Z = \frac{Y^2}{R(1 + \sqrt{1 - (1 + K)Y^2/R^2})} + \sum_i A_{2i} r^{2i}$$



NOTE

1. MATERIAL: D-ZK3
2. DESIGN WAVELENGTH: 685 nm
3. WORKING WAVELENGTH: 290 nm-2400 nm
4. NUMERICAL APERTURE: 0.6
5. FOCAL LENGTH: 4.0 mm
6. FOCAL LENGTH TOLERANCE: ±1.0%
7. BACK FOCAL LENGTH(REF): BF=2.7 mm
8. CHAMFER: <0.2 mm, 45°
9. SURFACE QUALITY: 40-20 SCRATCH-DIG
10. CENTRATION: <30 arcmin
11. AR COATING: UNCOATED

DRAWING PROJECTION			<b>LBTEK</b>			
	NAME	DATE	AC90653			
DRAWN	BSHU	Aug./1st/24	ASPHERIC CONDENSER LENS ∅=6.325 mm f=4.0 mm			
APPROVAL	WCHENG	Aug./1st/24	MATERIAL	WEIGHT	SCALE	REV
FOR INFORMATION ONLY NOT FOR MANUFACTURING PURPOSES			D-ZK3	0.18g	20:1	A