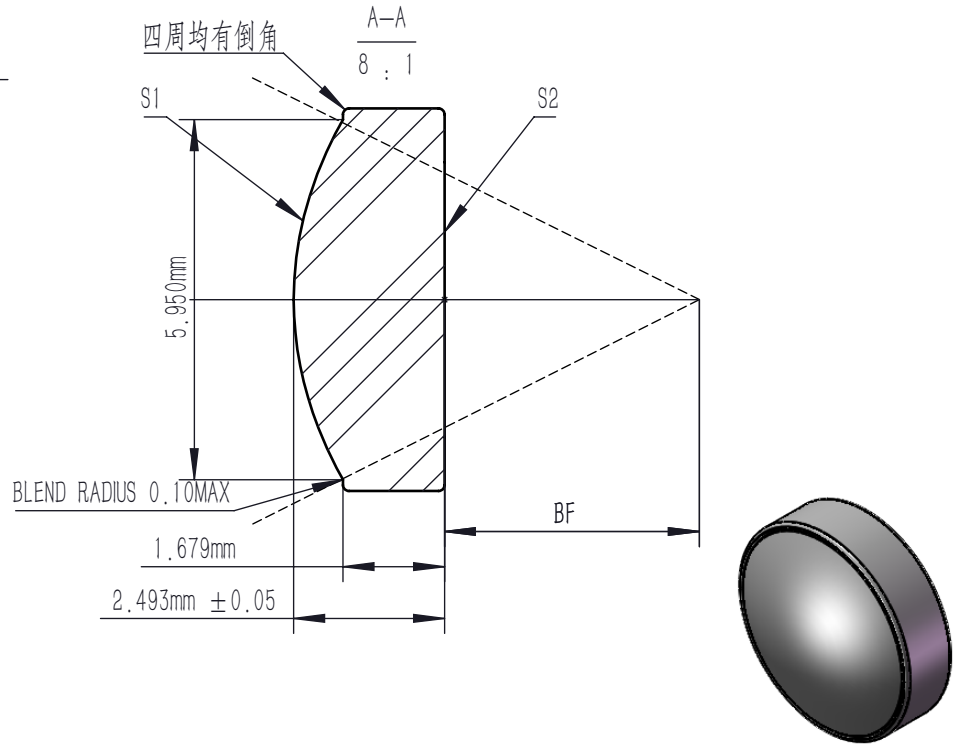
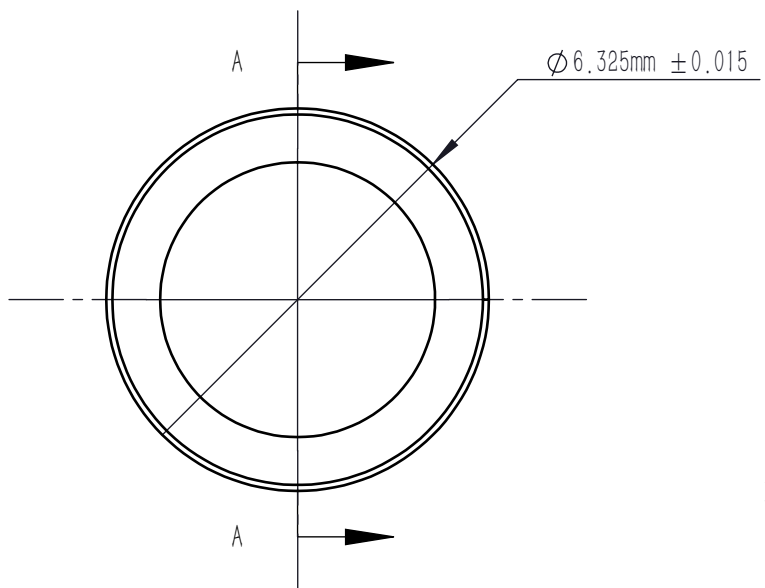


	TYPE	SHAPE	CA	R	k	A4	A6	A8	A10	A12	A14	A16
S1	ASPHERE	CX	∅5.20	5.609928	-0.567434	-2.387921E-7	-7.569886E-7	-1.692256E-8	-2.305947E-10	0	0	0
S2	PLANO	PL	∅5.13	PLANO	0	0	0	0	0	0	0	0

$$Z = \frac{Y^2}{R(1 + \sqrt{1 - (1 + K)Y^2/R^2})} + \sum_i A_{2i} r^{2i}$$



NOTE

1. MATERIAL: D-ZK3
2. DESIGN WAVELENGTH: 633 nm
3. WORKING WAVELENGTH: 290 nm-2400 nm
4. NUMERICAL APERTURE: 0.7
5. FOCAL LENGTH: 9.6 mm
6. FOCAL LENGTH TOLERANCE: ±1.0%
7. BACK FOCAL LENGTH(REF): BF=8.1 mm
8. CHAMFER: <0.2 mm, 45°
9. SURFACE QUALITY: 60-40 SCRATCH-DIG
10. CENTRATION: <30 arcmin
11. AR COATING: UNCOATED

DRAWING PROJECTION							
	NAME	DATE	AC90657				
DRAWN	BSHU	Aug./1st/24	ASPHERIC CONDENSER LENS ∅=6.325 mm f=9.6 mm				
APPROVAL	WCHENG	Aug./1st/24	MATERIAL	WEIGHT	SCALE	REV	
FOR INFORMATION ONLY NOT FOR MANUFACTURING PURPOSES			D-ZK3	0.18g	20:1	A	