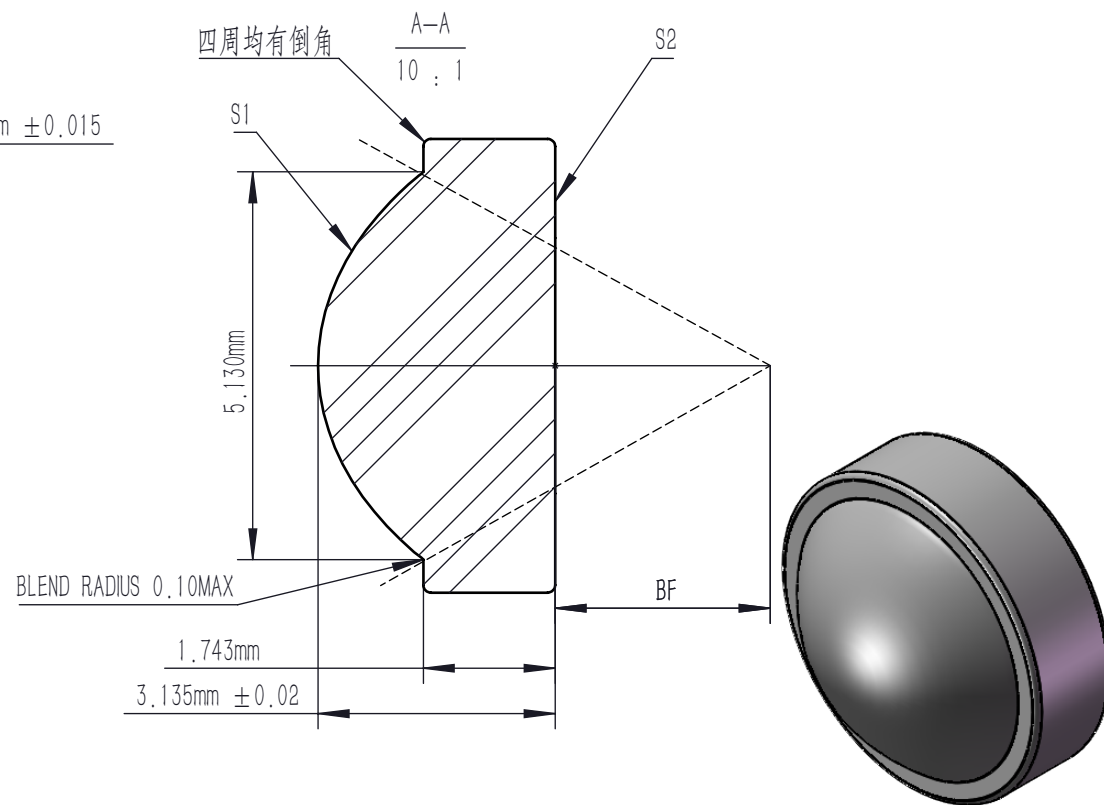
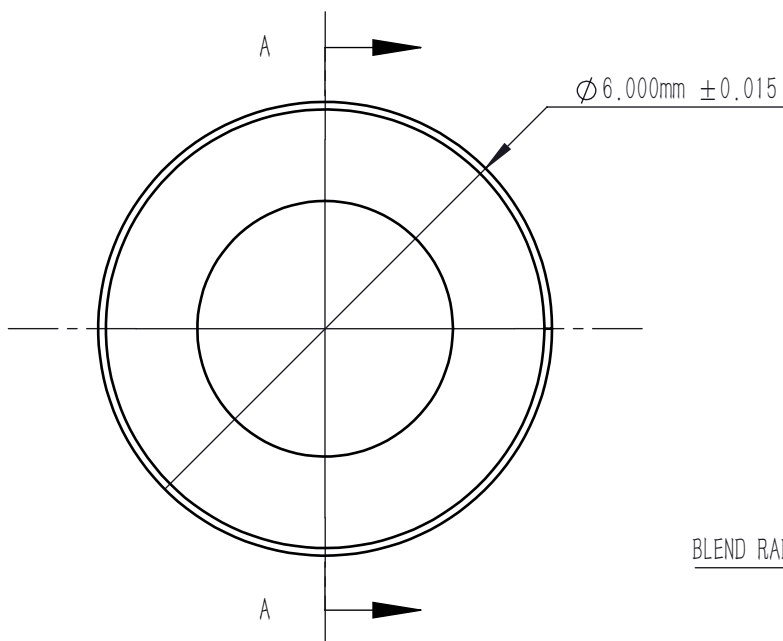


	TYPE	SHAPE	CA	R	k	A4	A6	A8	A10	A12	A14	A16
S1	ASPHERE	CX	∅4.80	2.684150	-0.517612	5.980307E-5	-1.527613E-5	-3.647708E-6	1.381275E-7	-4.485638E-8	0	0
S2	PLANO	PL	∅3.38	PLANO	0	0	0	0	0	0	0	0

$$Z = \frac{Y^2}{R(1 + \sqrt{1 - (1 + K)Y^2/R^2})} + \sum_i A_{2i} r^{2i}$$



NOTE

1. MATERIAL: D-ZK3
2. DESIGN WAVELENGTH: 655 nm
3. WORKING WAVELENGTH: 290 nm-2400 nm
4. NUMERICAL APERTURE: 0.5
5. FOCAL LENGTH: 4.6 mm
6. FOCAL LENGTH TOLERANCE: ±1.0%
7. BACK FOCAL LENGTH(REF): BF=2.7 mm
8. CHAMFER: <0.2 mm, 45°
9. SURFACE QUALITY: 40-20 SCRATCH-DIG
10. CENTRATION: <30 arcmin
11. AR COATING: UNCOATED

DRAWING PROJECTION				<h1 style="color: red; margin: 0;">LBTEK</h1>			
	NAME	DATE					
DRAWN	BSHU	Aug./1st/24		ASPHERIC CONDENSER LENS ∅=6.0 mm f=4.6 mm			
APPROVAL	WCHENG	Aug./1st/24		MATERIAL	WEIGHT	SCALE	REV
FOR INFORMATION ONLY NOT FOR MANUFACTURING PURPOSES				D-ZK3	0.18g	20:1	A