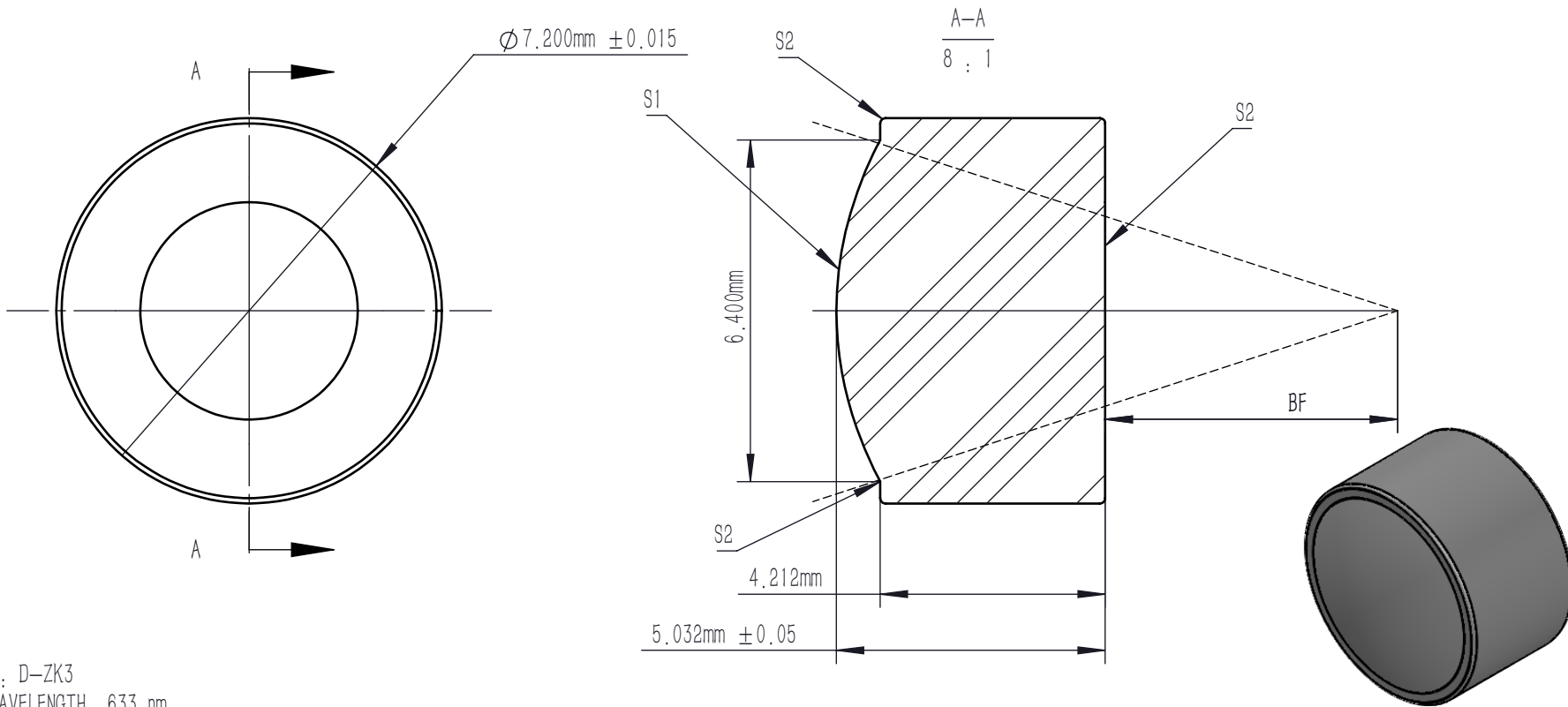


	TYPE	SHAPE	CA	R	k	A4	A6	A8	A10	A12	A14	A16
S1	ASPHERE	CX	∅5.50	6.428132	-0.731284	8.924167E-5	4.384364E-7	0	0	0	0	0
S2	PLANO	PL	∅4.07	PLANO	0	0	0	0	0	0	0	0

$$Z = \frac{Y^2}{R(1 + \sqrt{1 - (1 + K)Y^2/R^2})} + \sum_i A_{2i} r^{2i}$$



NOTE

1. MATERIAL: D-ZK3
2. DESIGN WAVELENGTH: 633 nm
3. WORKING WAVELENGTH: 290 nm-2400 nm
4. NUMERICAL APERTURE: 0.3
5. FOCAL LENGTH: 11 mm
6. FOCAL LENGTH TOLERANCE: ±1.0%
7. BACK FOCAL LENGTH(REF): BF=7.6 mm
8. CHAMFER: <0.2 mm, 45°
9. SURFACE QUALITY: 40-20 SCRATCH-DIG
10. CENTRATION: <30 arcmin
11. AR COATING: UNCOATED

DRAWING PROJECTION			LBTEK			
	NAME	DATE	AC91635			
DRAWN	BSHU	Aug./1st/24	ASPHERIC CONDENSER LENS ∅=7.2 mm f=11 mm			
APPROVAL	WCHENG	Aug./1st/24	MATERIAL	WEIGHT	SCALE	REV
FOR INFORMATION ONLY NOT FOR MANUFACTURING PURPOSES			D-ZK3	0.52g	20:1	A