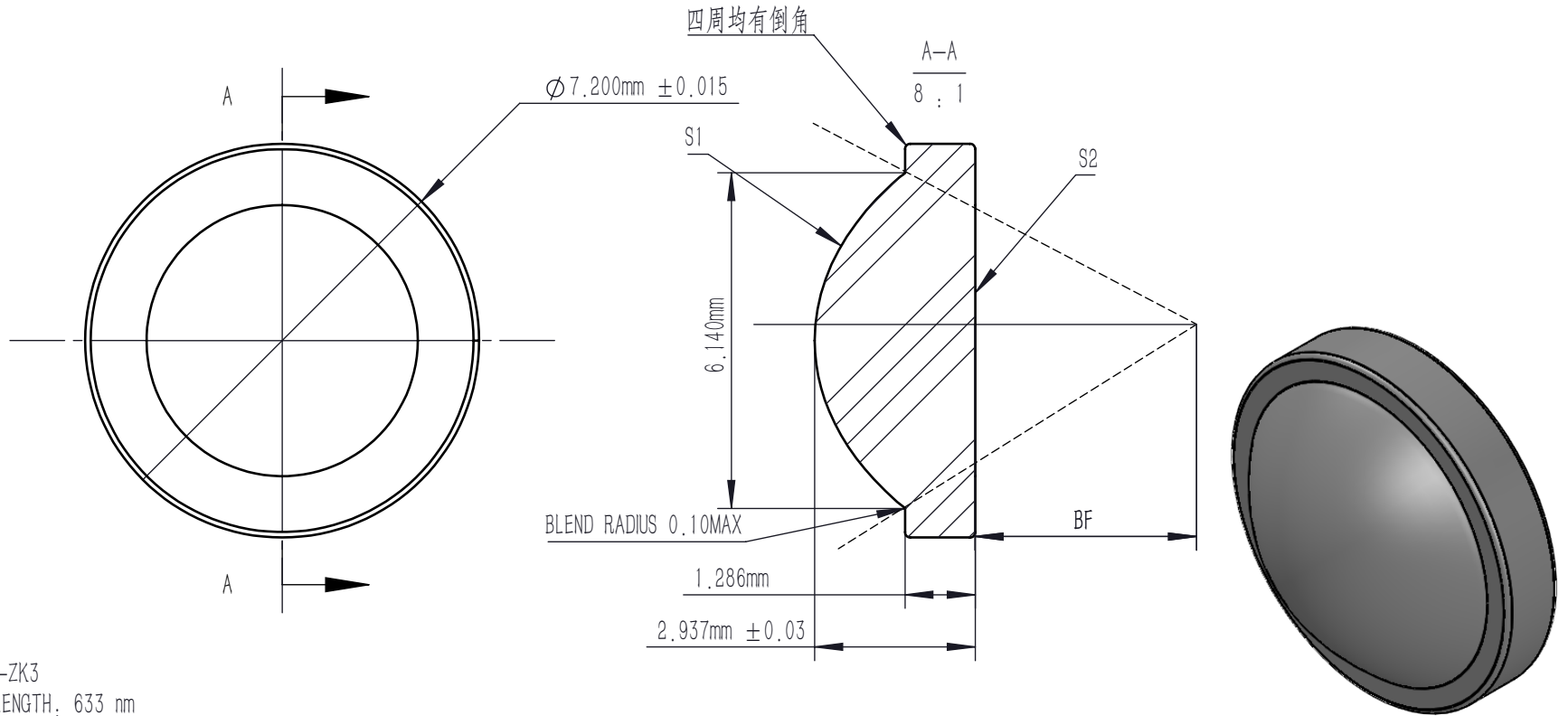


	TYPE	SHAPE	CA	R	k	A4	A6	A8	A10	A12	A14	A16
S1	ASPHERE	CX	∅6.00	3.214021	-1.455302	3.487830E-3	-7.548417E-6	1.334310E-6	-1.829706E-8	-6.912930E-10	0	0
S2	PLANO	PL	∅4.96	PLANO	0	0	0	0	0	0	0	0

$$Z = \frac{Y^2}{R(1 + \sqrt{1 - (1 + K)Y^2/R^2})} + \sum_i A_{2i} r^{2i}$$



NOTE

1. MATERIAL: D-ZK3
2. DESIGN WAVELENGTH: 633 nm
3. WORKING WAVELENGTH: 290 nm-2400 nm
4. NUMERICAL APERTURE: 0.6
5. FOCAL LENGTH: 5.5 mm
6. FOCAL LENGTH TOLERANCE: ±1.0%
7. BACK FOCAL LENGTH(REF): BF=3.7 mm
8. CHAMFER: <0.2 mm, 45°
9. SURFACE QUALITY: 40-20 SCRATCH-DIG
10. CENTRATION: <30 arcmin
11. AR COATING: UNCOATED

DRAWING PROJECTION				<h1 style="color: red; margin: 0;">LBTEK</h1>			
DRAWN		NAME	DATE	ASPHERIC CONDENSER LENS ∅=7.200 mm f=5.5 mm			
BSHU		BSHU	Aug./1st/24				
APPROVAL		WCHENG	Aug./1st/24	MATERIAL	WEIGHT	SCALE	REV
FOR INFORMATION ONLY NOT FOR MANUFACTURING PURPOSES				D-ZK3	0.22g	20:1	A