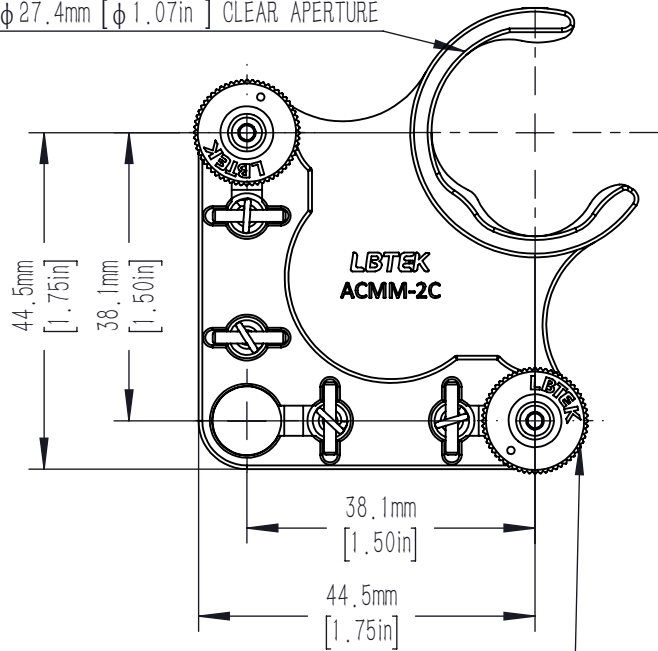
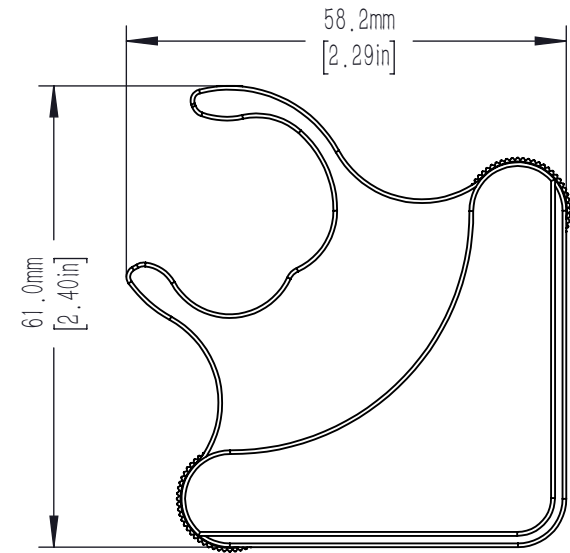
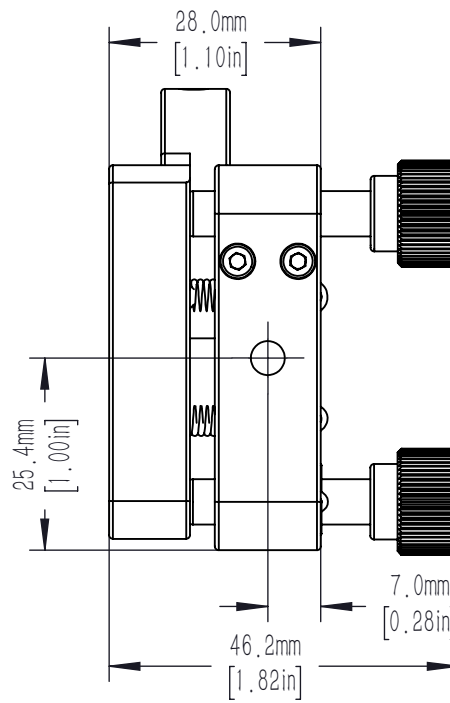
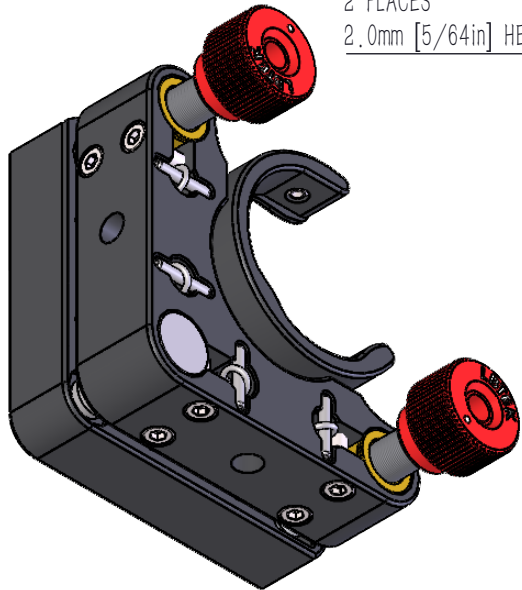


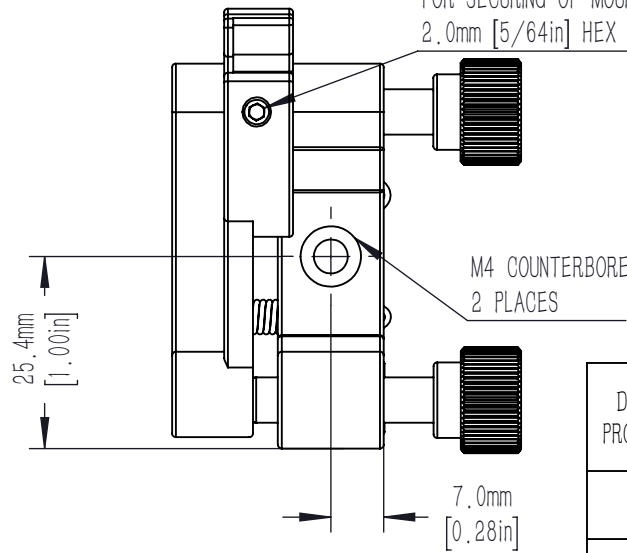
ACCEPTS  $\phi 25.4\text{mm}$  [ $\phi 1.0\text{in}$ ] OPTICS  
 MINIMUM  $5.0\text{mm}$  [ $0.2\text{in}$ ]  
 $\phi 27.4\text{mm}$  [ $\phi 1.07\text{in}$ ] CLEAR APERTURE



M6X0.25 ADJUSTER SCREWS  
 PROVIDES  $\pm 4^\circ$   
 TOTAL ANGULAR DISPLACEMENT  
 ( $0.4^\circ$  PER REVOLUTION)  
 2 PLACES  
 2.0mm [ $5/64\text{in}$ ] HEX



POM-TIPPED SET SCREW  
 FOR SECURING OF MOUNTED OPTIC  
 2.0mm [ $5/64\text{in}$ ] HEX



DRAWING PROJECTION			<b>LBTEK</b>			
	NAME	DATE	ACMM-2C			
DRAWN	ZLI	FEB./22th/24	MIRROR MOUNT WITH UNTHREADED HOLE FOR $\phi 25.4\text{mm}$ OPTICS CLEAR EDGE			
APPROVAL	DHE	FEB./22th/24	MATERIAL	WEIGHT	SCALE	REV
FOR INFORMATION ONLY NOT FOR MANUFACTURING PURPOSES			N/A	0.110 Kg	1:1	A