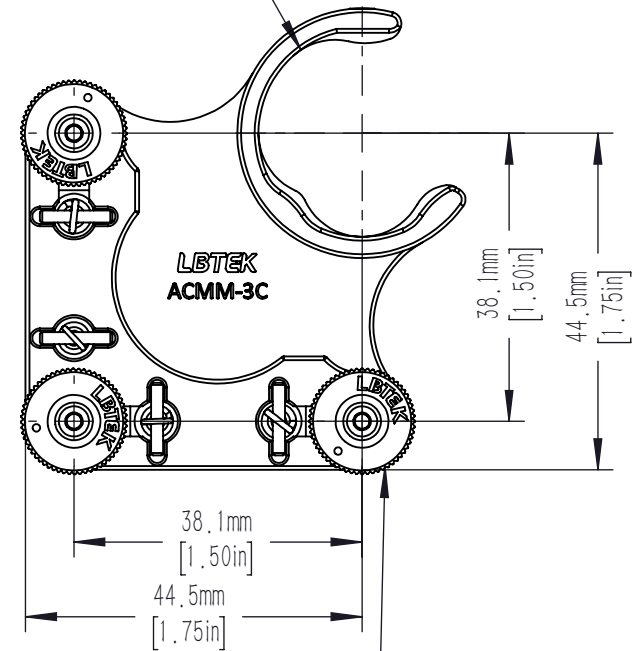
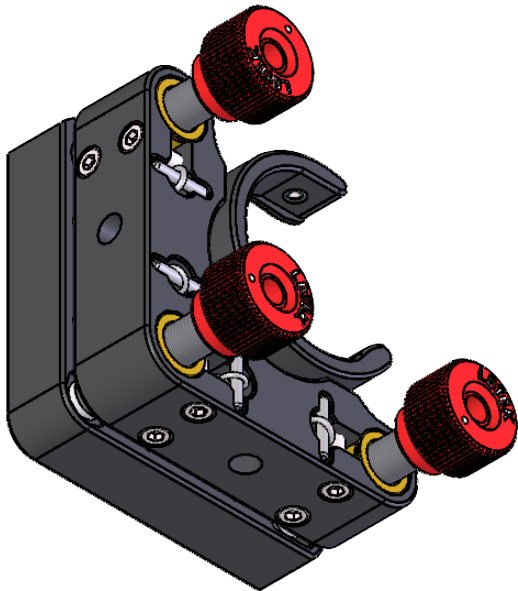


POM-TIPPED SET SCREW  
FOR SECURING OF MOUNTED OPTIC  
2.0mm [5/64in] HEX

ACCEPTS  $\phi 25.4\text{mm}$  [ $\phi 1.0\text{in}$ ] OPTICS  
MINIMUM 5.0mm [0.2in]  
 $\phi 27.4\text{mm}$  [ $\phi 1.07\text{in}$ ] CLEAR APERTURE



M6X0.25 ADJUSTER SCREWS  
PROVIDES  $\pm 4^\circ$   
TOTAL ANGULAR DISPLACEMENT  
( $0.4^\circ$  PER REVOLUTION)  
3 PLACES  
2.0mm [5/64in] HEX



DRAWING PROJECTION			<b>LBTEK</b>			
	NAME	DATE				
DRAWN	ZLI	FEB./22th/24	IRROR MOUNT WITH UNTHREADED HOLE FOR $\phi 25.4\text{mm}$ OPTICS CLEAR EDGE			
APPROVAL	HDE	FEB./22th/24	MATERIAL	WEIGHT	SCALE	REV
FOR INFORMATION ONLY NOT FOR MANUFACTURING PURPOSES			N/A	0.114 Kg	1:1	A