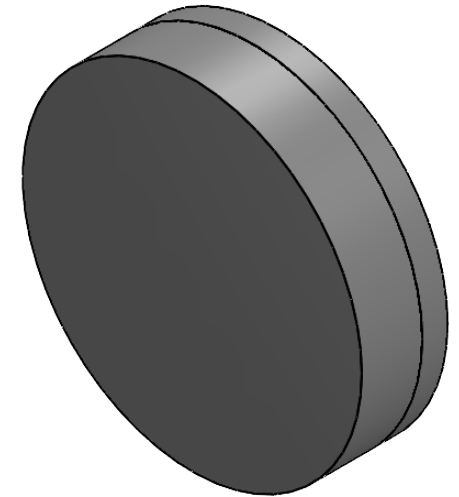


剖面 A-A



NOTES:

1. DESIGN WAVELENGTH: 488 nm, 707 nm&1064 nm
2. CLEAR APERTURE: >90 %CA
3. OPERATION WAVELENGTH: 400 nm-1100 nm
4. DIAMETER TOLERANCE: +0.0/-0.1 mm
5. THICKNESS TOLERANCE: ±0.1 mm
6. FOCAL LENGTH: 19.0 mm±1 %@707 nm
7. BACK FOCAL LENGTH: 16.29 mm
8. SURFACE QUALITY (S/D) (S1,S2) : 40/20
9. SURFACE POWER (S1,S2) : $3\lambda/2@632.8\text{ nm}$
10. SURFACE IRREGULARITY (S1,S2) : $\lambda/4@632.8\text{ nm}$
11. CENTRATION: <3 arcmin
12. CHAMFER: <0.2 mm, 45°
13. AR COATING (S1,S2) : $R_{avg}<1\%@400\text{ nm}-1100\text{ nm}$, 0° AOI

	MATERIAL
①	N-LAK10
②	N-SF57

DRAWING PROJECTION				LBTEK			
	NAME	DATE	AD303-AB				
DRAWN	SHAN	SEP./9th/24	ACHROMATIC DOUBLETS				
APPROVAL	WCHENG	SEP./9th/24	MATERIAL	WEIGHT	SCALE	REV	
FOR INFORMATION ONLY NOT FOR MANUFACTURING PURPOSES			N-LAK10/N-SF57	1.89g	5:1	A	