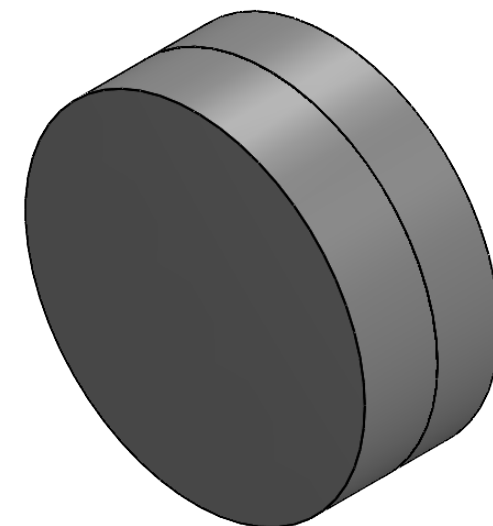


剖面 A-A



NOTES:

1. DESIGN WAVELENGTH: 488 nm, 707 nm&1064 nm
2. CLEAR APERTURE: $>90\%$ CA
3. OPERATION WAVELENGTH: 400 nm-1100 nm
4. DIAMETER TOLERANCE: $+0.0/-0.1$ mm
5. THICKNESS TOLERANCE: ± 0.1 mm
6. FOCAL LENGTH: $50.0\text{ mm} \pm 1\%$ @707 nm
7. BACK FOCAL LENGTH: 46.56 mm
8. SURFACE QUALITY (S/D) (S1,S2) : 40/20
9. SURFACE POWER (S1,S2) : $3\lambda/2$ @632.8 nm
10. SURFACE IRREGULARITY (S1,S2) : $\lambda/4$ @632.8 nm
11. CENTRATION: <3 arcmin
12. CHAMFER: <0.2 mm, 45°
13. AR COATING (S1,S2) : $R_{avg} < 1\%$ @400 nm-1100 nm, 0° AOI

	MATERIAL
①	N-BK7
②	N-SF2

DRAWING PROJECTION				LBTEK			
	NAME	DATE	AD306-AB				
DRAWN	SHAN	SEP./9th/24	ACHROMATIC DOUBLETS				
APPROVAL	WCHENG	SEP./9th/24	MATERIAL	WEIGHT	SCALE	REV	
FOR INFORMATION ONLY NOT FOR MANUFACTURING PURPOSES			N-BK7/N-SF2	1.82g	5:1	A	