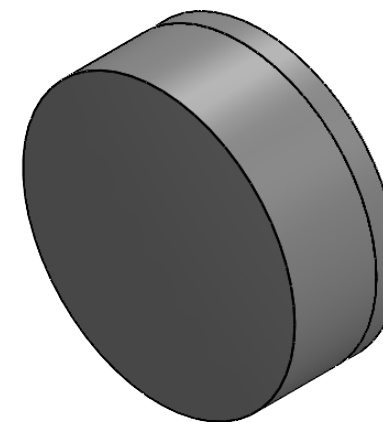


剖面 A-A



NOTES:

1. DESIGN WAVELENGTH: 488 nm, 707 nm&1064 nm
2. CLEAR APERTURE:  $>90\%$ CA
3. OPERATION WAVELENGTH: 400 nm-1100 nm
4. DIAMETER TOLERANCE:  $+0.0/-0.1$  mm
5. THICKNESS TOLERANCE:  $\pm 0.1$  mm
6. FOCAL LENGTH:  $30.0\text{ mm} \pm 1\%$ @707 nm
7. BACK FOCAL LENGTH: 21.22 mm
8. SURFACE QUALITY (S/D) ( $S1, S2$ ): 60/40
9. SURFACE POWER ( $S1, S2$ ):  $3\lambda/2$ @632.8 nm
10. SURFACE IRREGULARITY ( $S1, S2$ ):  $\lambda/4$ @632.8 nm
11. CENTRATION:  $<3$  arcmin
12. CHAMFER:  $<0.2$  mm,  $45^\circ$
13. AR COATING ( $S1, S2$ ):  $R_{\text{avg}} < 1\%$ @400 nm-1100 nm,  $0^\circ$  AOI

	MATERIAL
①	BAFN11
②	N-SF6

DRAWING PROJECTION				<h1 style="color: red; margin: 0;">LBTEK</h1>			
	NAME	DATE					
DRAWN	SHAN	SEP./9th/24		ACHROMATIC DOUBLETS			
APPROVAL	WCHENG	SEP./9th/24		MATERIAL	WEIGHT	SCALE	REV
FOR INFORMATION ONLY NOT FOR MANUFACTURING PURPOSES				BAFN11/N-SF6	21.97g	2:1	A