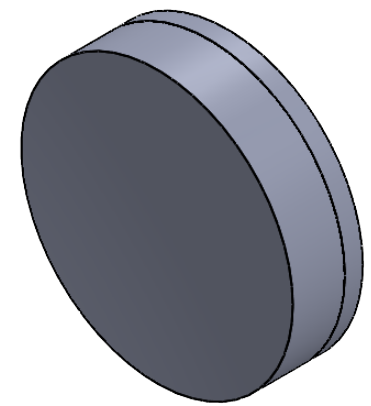
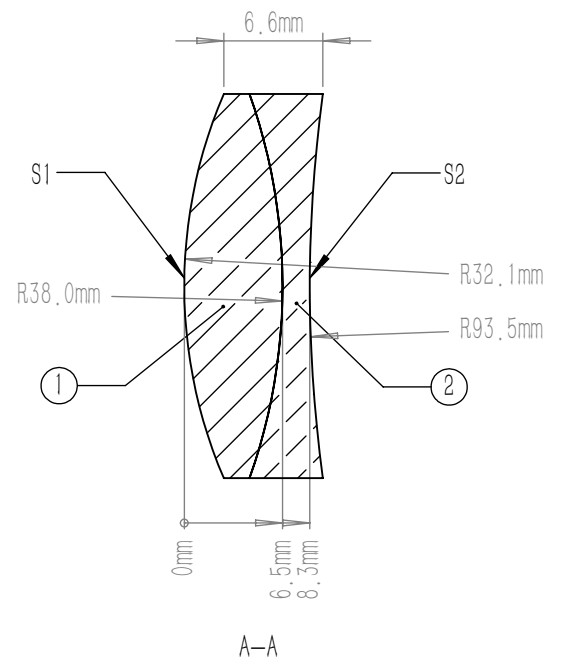
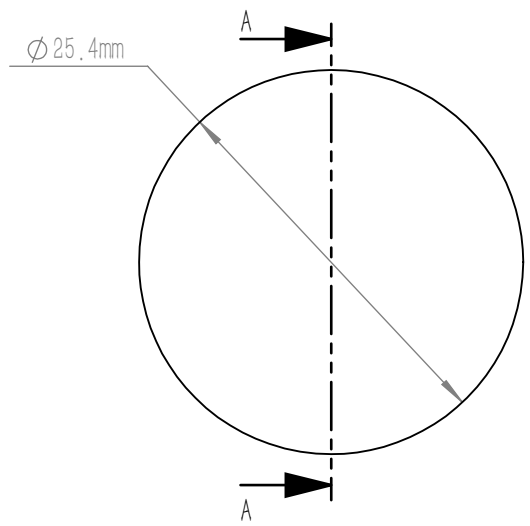


	材料
①	N-BAF10
②	N-SF6



NOTES

- MATERIAL: N-BAF10/N-SF6
- DESIGN WAVELENGTH: 1016 nm, 1330 nm & 1550 nm
- CLEAR APERTURE:  $>90\%CA$
- OPERATION WAVELENGTH: 1100 nm-1650 nm
- DIAMETER TOLERANCE:  $+0.0/-0.1\text{ mm}$
- THICKNESS TOLERANCE:  $\pm 0.2\text{ mm}$
- FOCAL LENGTH:  $100.0\text{ mm} \pm 1\% @ 1330\text{ nm}$
- BACK FOCAL LENGTH(REF):  $90.4\text{ mm}$
- SURFACE QUALITY (S/D) (S1,S2) : 40/20
- SURFACE POWER (S1,S2) :  $3\lambda/2 @ 632.8\text{ nm}$
- SURFACE IRREGULARITY(S1,S2):  $\lambda/4 @ 632.8\text{ nm}$
- CENTRATION:  $<3\text{ arcmin}$
- CHAMFER:  $<0.2\text{ mm}, 45^\circ$
- AR COATING (S1,S2) :  $R_{avg} < 0.5\% @ 1100\text{ nm}-1650\text{ nm}$  ( $6^\circ AOI$ , single)

DRAWING PROJECTION			<b>LBTEK</b>			
NAME	DATE					
DRAWN	SHAN	MAY./9th/25	ACHROMATIC DOUBLETS			
APPROVAL	WCHENG	MAY./9th/25	MATERIAL	WEIGHT	SCALE	REV
FOR INFORMATION ONLY NOT FOR MANUFACTURING PURPOSES			N-BAF10/N-SF6	13.51 g	2:1	A