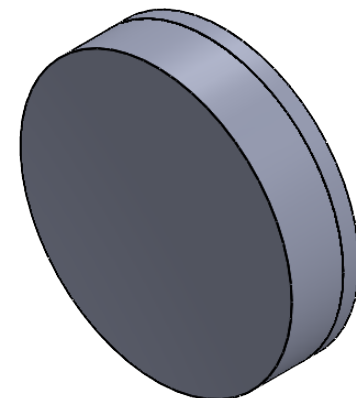
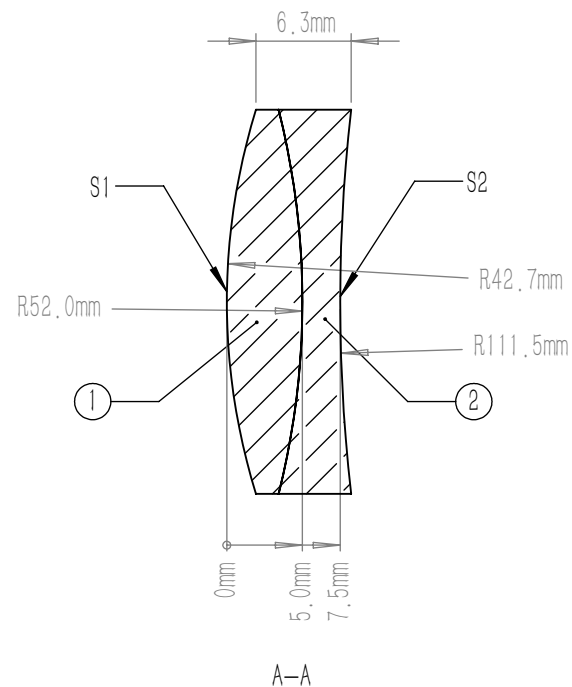
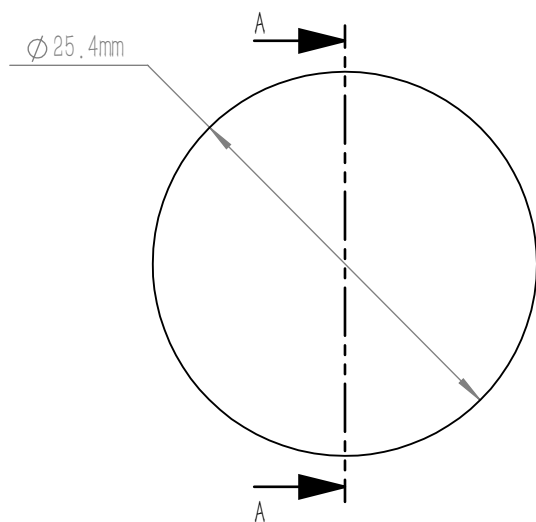


	材料
①	N-BAF10
②	N-SF6



NOTES

1. MATERIAL: N-BAF10/N-SF6
2. DESIGN WAVELENGTH: 1016 nm, 1330 nm & 1550 nm
3. CLEAR APERTURE: >90%CA
4. OPERATION WAVELENGTH: 1100 nm-1650 nm
5. DIAMETER TOLERANCE: +0.0/-0.1 mm
6. THICKNESS TOLERANCE: ±0.2 mm
7. FOCAL LENGTH: 150.0 mm ±1%@1330 nm
8. BACK FOCAL LENGTH(REF): 140.8 mm
9. SURFACE QUALITY (S/D) (S1,S2) : 40/20
10. SURFACE POWER (S1,S2) : $3\lambda/2@632.8$ nm
11. SURFACE IRREGULARITY(S1,S2): $\lambda/4@632.8$ nm
12. CENTRATION: <3 arcmin
13. CHAMFER: <0.5 mm, 45°
14. AR COATING (S1,S2) : Ravg<0.5%@1100 nm-1650 nm (6° AOI, single)

DRAWING PROJECTION			LBTEK			
NAME	DATE					
DRAWN	SHAN	MAY./9th/25	ACHROMATIC DOUBLETS			
APPROVAL	WCHENG	MAY./9th/25	MATERIAL	WEIGHT	SCALE	REV
FOR INFORMATION ONLY NOT FOR MANUFACTURING PURPOSES			N-BAF10/N-SF6	12.42 g	2:1	A