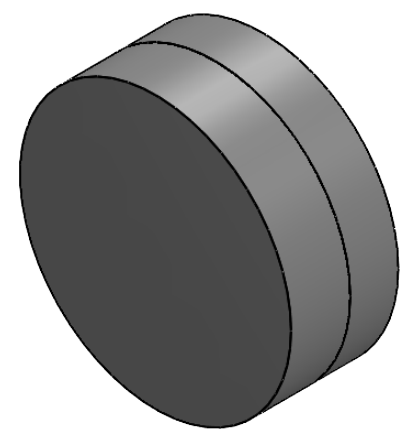


剖面 A-A



NOTES:

1. DESIGN WAVELENGTH: 488 nm, 707 nm&1064 nm
2. CLEAR APERTURE: >90 %CA
3. OPERATION WAVELENGTH: 400 nm-1100 nm
4. DIAMETER TOLERANCE: +0.0/-0.1 mm
5. THICKNESS TOLERANCE: ± 0.1 mm
6. FOCAL LENGTH: $75.0 \text{ mm} \pm 1 \% @ 707 \text{ nm}$
7. BACK FOCAL LENGTH: 68.72 mm
8. SURFACE QUALITY (S/D) (S1,S2) : 60/40
9. SURFACE POWER (S1,S2) : $3\lambda/2 @ 632.8 \text{ nm}$
10. SURFACE IRREGULARITY (S1,S2) : $\lambda/4 @ 632.8 \text{ nm}$
11. CENTRATION: <3 arcmin
12. CHAMFER: <0.2 mm, 45°
13. AR COATING (S1,S2) : $R_{\text{avg}} < 1 \% @ 400 \text{ nm}-1100 \text{ nm}, 0^\circ \text{ AOI}$

	MATERIAL
①	N-BAF10
②	N-SF6

DRAWING PROJECTION				<h1 style="color: red; margin: 0;">LBTEK</h1>			
	NAME	DATE					
DRAWN	SHAN	SEP./9th/24		ACHROMATIC DOUBLETS			
APPROVAL	WCHENG	SEP./9th/24		MATERIAL	WEIGHT	SCALE	REV
FOR INFORMATION ONLY NOT FOR MANUFACTURING PURPOSES				N-BAF10/N-SF6	20.04 g	2:1	A