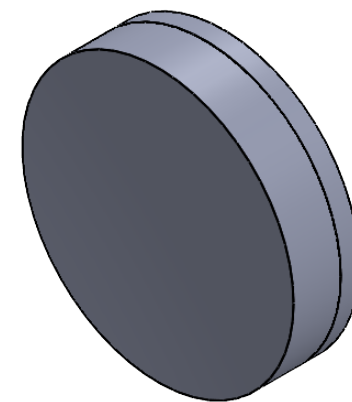
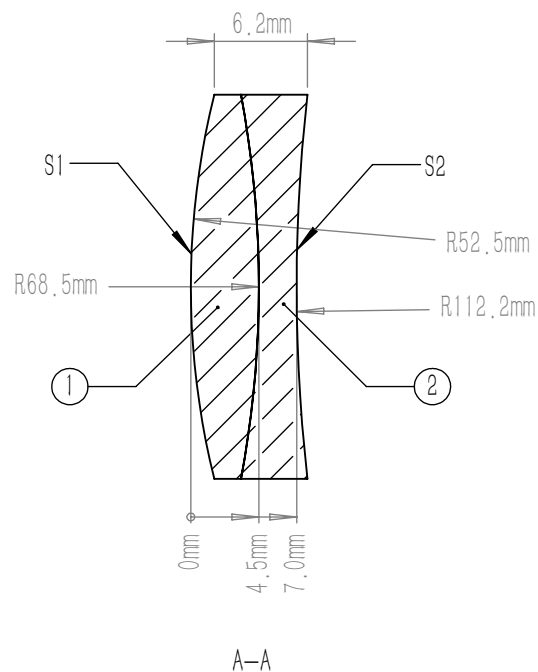
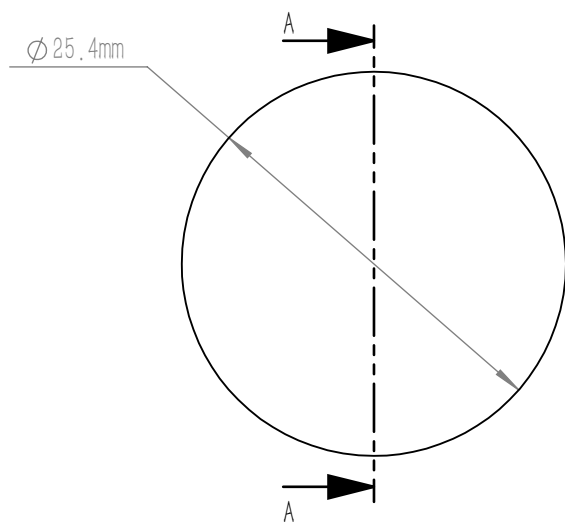


	材料
①	N-SF2
②	N-SF6



NOTES

- MATERIAL: N-SF2/N-SF6
- DESIGN WAVELENGTH: 1016 nm, 1330 nm & 1550 nm
- CLEAR APERTURE: >90%CA
- OPERATION WAVELENGTH: 1100 nm-1650 nm
- DIAMETER TOLERANCE: +0.0/-0.1 mm
- THICKNESS TOLERANCE: ±0.2 mm
- FOCAL LENGTH: 300.0 mm ±1%@1330 nm
- BACK FOCAL LENGTH(REF): 287.9 mm
- SURFACE QUALITY (S/D) (S1,S2) : 40/20
- SURFACE POWER (S1,S2) :  $3\lambda/2@632.8\text{ nm}$
- SURFACE IRREGULARITY(S1,S2):  $\lambda/4@632.8\text{ nm}$
- CENTRATION: <3 arcmin
- CHAMFER: <0.5 mm, 45°
- AR COATING (S1,S2) :  $R_{avg}<0.5\%@1100\text{ nm}-1650\text{ nm}$  (6° AOI, single)

DRAWING PROJECTION			<b>LBTEK</b>			
	NAME	DATE				
DRAWN	SHAN	MAY./9th/25	ACHROMATIC DOUBLETS			
APPROVAL	WCHENG	MAY./9th/25	MATERIAL	WEIGHT	SCALE	REV
FOR INFORMATION ONLY NOT FOR MANUFACTURING PURPOSES			N-SF2/N-SF6	10.2g	2:1	A