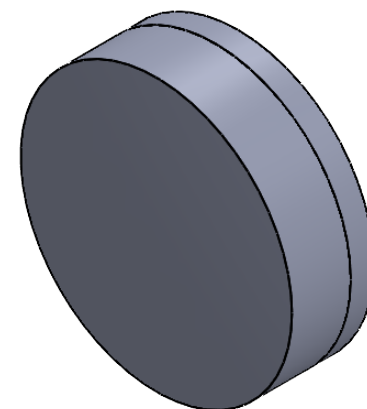
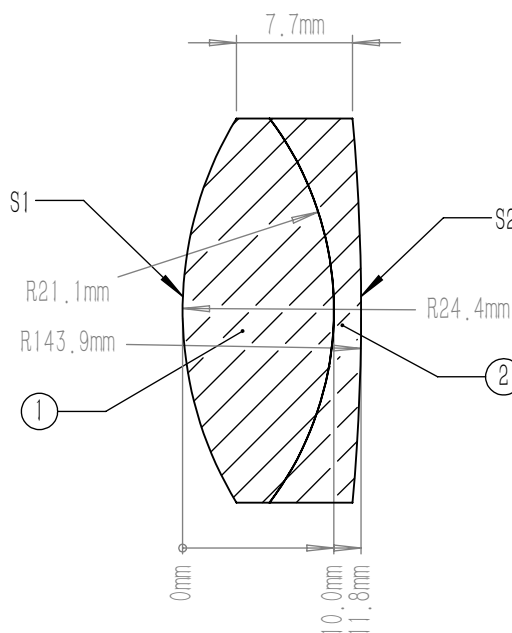
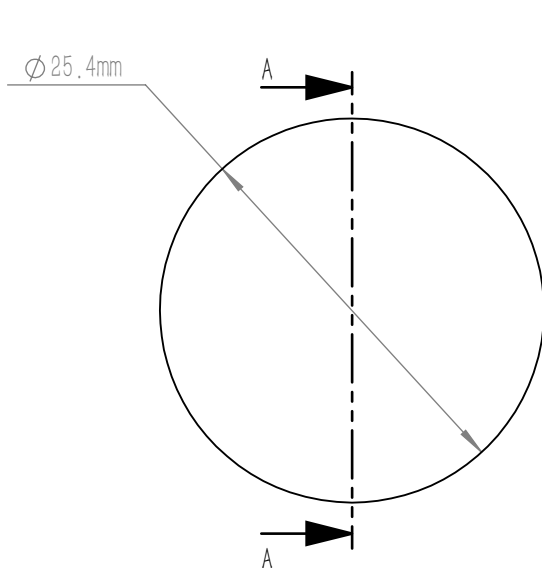


	材料
①	N-LAK22
②	N-SF6



NOTES

1. MATERIAL: N-LAK22/N-SF6
2. DESIGN WAVELENGTH: 1016 nm, 1330 nm & 1550 nm
3. CLEAR APERTURE: >90%CA
4. OPERATION WAVELENGTH: 1100 nm-1650 nm
5. DIAMETER TOLERANCE: +0.0/-0.1 mm
6. THICKNESS TOLERANCE: ±0.2 mm
7. FOCAL LENGTH: 40.0 mm ±1%@1330 nm
8. BACK FOCAL LENGTH(REF): 32.8 mm
9. SURFACE QUALITY (S/D) (S1,S2) : 40/20
10. SURFACE POWER (S1,S2) : $3\lambda/2@632.8\text{ nm}$
11. SURFACE IRREGULARITY(S1,S2): $\lambda/4@632.8\text{ nm}$
12. CENTRATION: <3 arcmin
13. CHAMFER: <0.2 mm, 45°
14. AR COATING (S1,S2) : $R_{avg}<0.5\%@1100\text{ nm}-1650\text{ nm}$ (6° AOI, single)

DRAWING PROJECTION			LBTEK			
	NAME	DATE				
DRAWN	SHAN	MAY./9th/25	ACHROMATIC DOUBLETS			
APPROVAL	WCHENG	MAY./9th/25	MATERIAL	WEIGHT	SCALE	REV
FOR INFORMATION ONLY NOT FOR MANUFACTURING PURPOSES			N-LAK22/N-SF6	17.8g	2:1	A