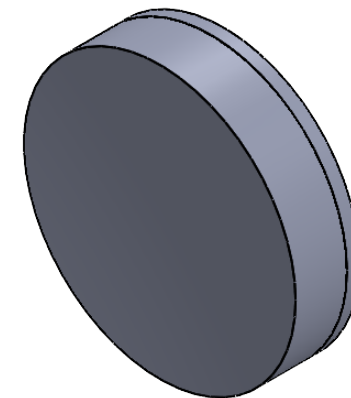
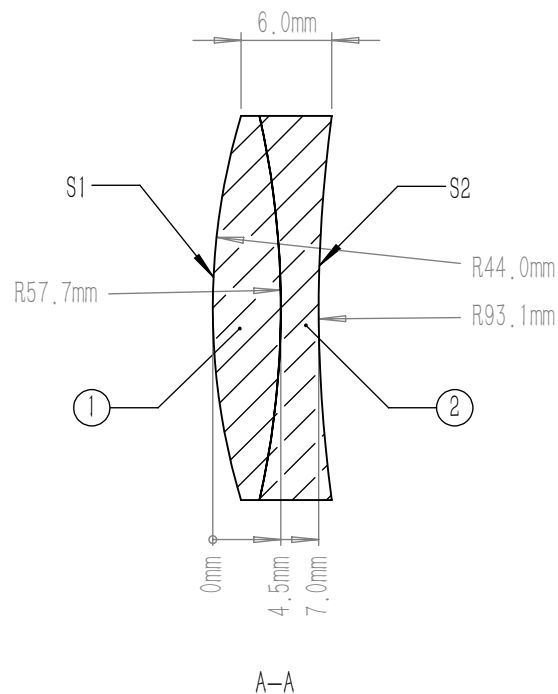
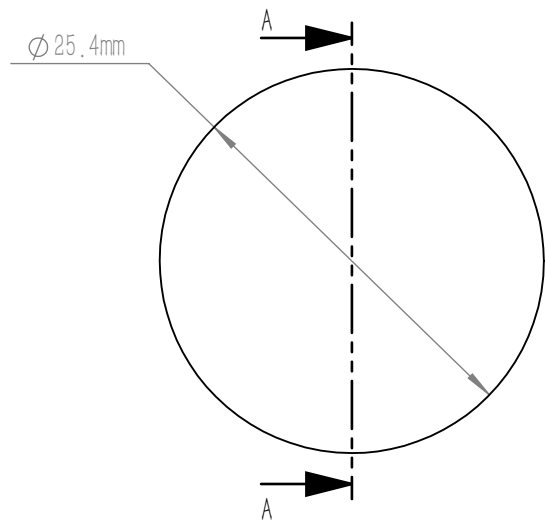


	材料
①	N-SF2
②	N-SF6



NOTES

1. MATERIAL: N-SF2/N-SF6
2. DESIGN WAVELENGTH: 1016 nm, 1330 nm & 1550 nm
3. CLEAR APERTURE: $>90\%CA$
4. OPERATION WAVELENGTH: 1100 nm-1650 nm
5. DIAMETER TOLERANCE: $+0.0/-0.1\text{ mm}$
6. THICKNESS TOLERANCE: $\pm 0.2\text{ mm}$
7. FOCAL LENGTH: $250.0\text{ mm} \pm 1\% @ 1330\text{ nm}$
8. BACK FOCAL LENGTH(REF): 236.9 mm
9. SURFACE QUALITY (S/D) (S1,S2) : 40/20
10. SURFACE POWER (S1,S2) : $3\lambda/2 @ 632.8\text{ nm}$
11. SURFACE IRREGULARITY(S1,S2): $\lambda/4 @ 632.8\text{ nm}$
12. CENTRATION: $<3\text{ arcmin}$
13. CHAMFER: $<0.2\text{ mm}, 45^\circ$
14. AR COATING (S1,S2) : $R_{avg} < 0.5\% @ 1100\text{ nm}-1650\text{ nm}$ (6° AOI , single)

DRAWING PROJECTION			LBTEK			
	NAME	DATE				
DRAWN	SHAN	MAY./9th/25	ACHROMATIC DOUBLETS			
APPROVAL	WCHENG	MAY./9th/25	MATERIAL	WEIGHT	SCALE	REV
FOR INFORMATION ONLY NOT FOR MANUFACTURING PURPOSES			N-SF2/N-SF6	10.2g	2:1	A