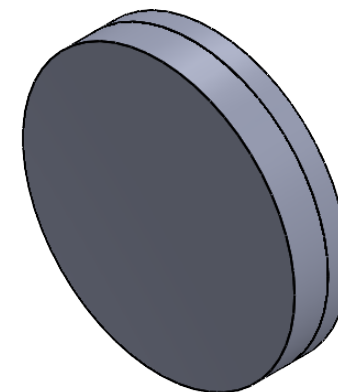
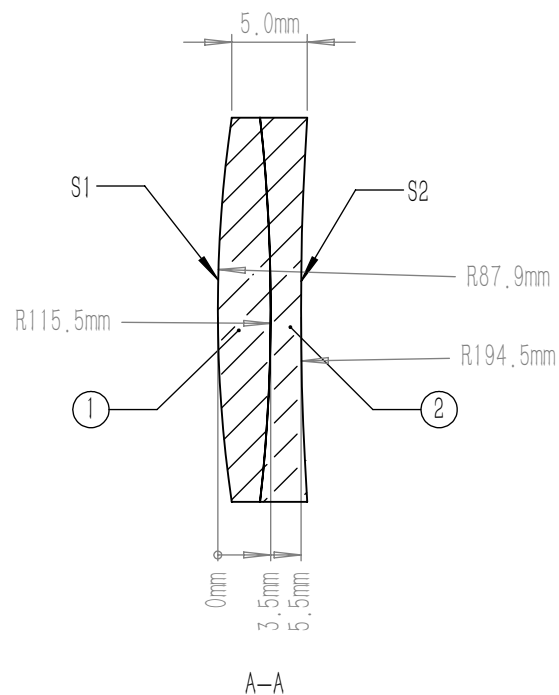
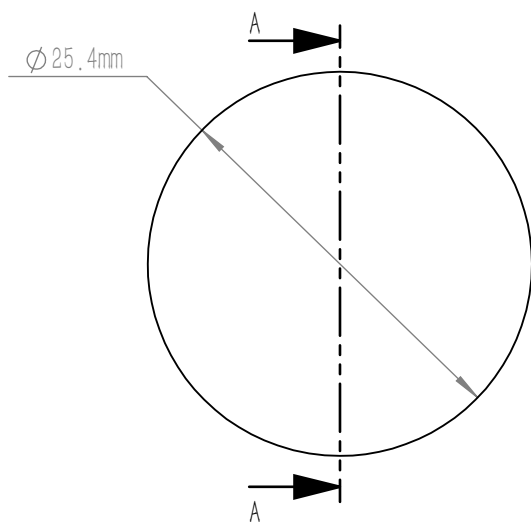


	材料
①	N-SF2
②	N-SF6



NOTES

1. MATERIAL: N-SF2/N-SF6
2. DESIGN WAVELENGTH: 1016 nm, 1330 nm & 1550 nm
3. CLEAR APERTURE: >90%CA
4. OPERATION WAVELENGTH: 1100 nm-1650 nm
5. DIAMETER TOLERANCE: +0.0/-0.1 mm
6. THICKNESS TOLERANCE: ±0.2 mm
7. FOCAL LENGTH: 500.0 mm ±1%@1330 nm
8. BACK FOCAL LENGTH(REF): 490.2 mm
9. SURFACE QUALITY (S/D) (S1,S2) : 40/20
10. SURFACE POWER (S1,S2) :  $3\lambda/2@632.8$  nm
11. SURFACE IRREGULARITY(S1,S2):  $\lambda/4@632.8$  nm
12. CENTRATION: <3 arcmin
13. CHAMFER: <0.2 mm, 45°
14. AR COATING (S1,S2) :  $R_{avg}<0.5\%@1100$  nm-1650 nm (6° AOI, single)

DRAWING PROJECTION			<b>LBTEK</b>			
NAME	DATE	AD424-C				
DRAWN	SHAN	MAY./9th/25	ACHROMATIC DOUBLET			
APPROVAL	WCHENG	MAY./9th/25	MATERIAL	WEIGHT	SCALE	REV
FOR INFORMATION ONLY NOT FOR MANUFACTURING PURPOSES			N-SF2/N-SF6	8.08g	2:1	A