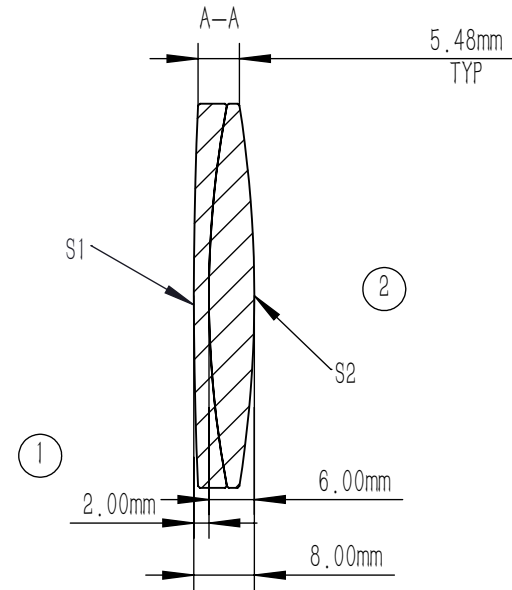
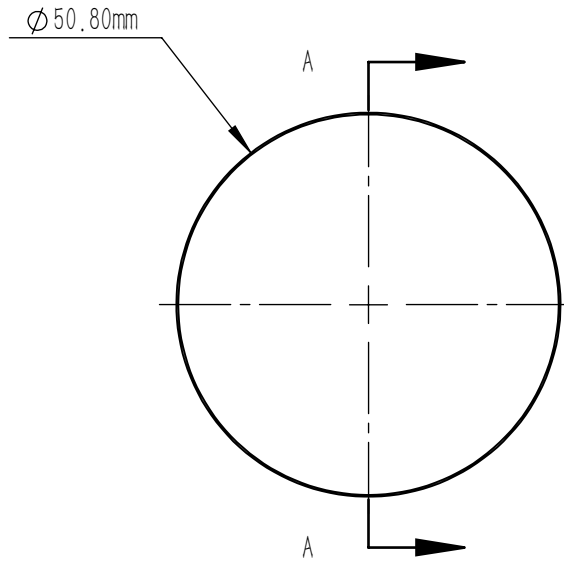


	MATERIAL
①	N-BK7
②	SF2



#### NOTES

1. MATERIAL: N-BK7/SF2
2. DESIGN WAVELENGTH: 486.1 nm, 587.6 nm & 656.3 nm
3. CLEAR APERTURE:  $>90\%CA$
4. OPERATION WAVELENGTH: 400 nm-700 nm
5. DIAMETER TOLERANCE:  $+0.0/-0.1\text{ mm}$
6. THICKNESS TOLERANCE:  $\pm 0.2\text{ mm}$
7. FOCAL LENGTH:  $300.0\text{ mm} \pm 1\% @ 587.6\text{ nm}$
8. BACK FOCAL LENGTH(REF): 295.4 mm
9. SURFACE QUALITY (S/D) (S1,S2) : 40/20
10. SURFACE POWER (S1,S2) :  $3\lambda/2 @ 632.8\text{ nm}$
11. SURFACE IRREGULARITY(S1,S2):  $\lambda/4 @ 632.8\text{ nm}$
12. CENTRATION:  $<3\text{ arcmin}$
13. CHAMFER:  $<0.2\text{ mm}, 45^\circ$
14. COATING (S1,S2) : AR COATING  $R_{\text{avg}} < 0.5\% @ 400\text{ nm}-700\text{ nm}$

DRAWING PROJECTION			<b>LBTEK</b>			
	NAME	DATE	AD513-A			
DRAWN	BSHU	Aug./5th/24	$\phi 50.8\text{ mm}, F=300.0\text{ mm}$ ACHROMATIC DOUBLETS AR COATING 400-700 nm			
APPROVAL	WCHENG	Aug./5th/24	MATERIAL	WEIGHT	SCALE	REV
FOR INFORMATION ONLY NOT FOR MANUFACTURING PURPOSES			N-BK7/SF2	42.1 g	10:1	B