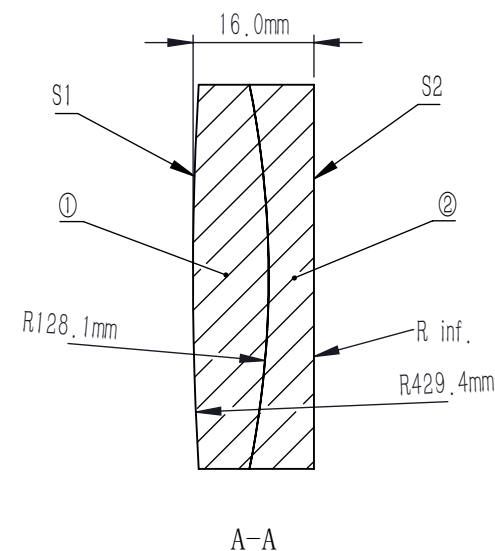
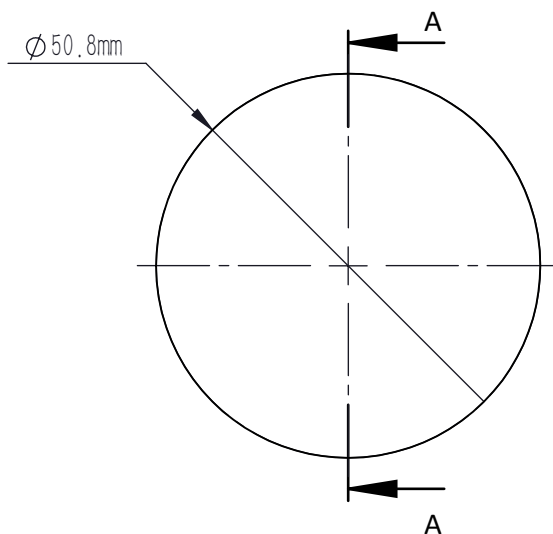


	MATERIAL
①	H-ZK50
②	H-F4



#### NOTES

- DESIGN WAVELENGTH: 1016.0 nm, 1330.0 nm & 1550.0 nm
- CLEAR APERTURE:  $>90\%CA$
- OPERATION WAVELENGTH: 1100 nm–1650 nm
- FOCAL LENGTH:  $750.0 \text{ mm} \pm 1\% @ 1330.0 \text{ nm}$
- BACK FOCAL LENGTH(REF): 739.8 mm
- SURFACE QUALITY(S/D)(S1, S2): 40/20
- SURFACE POWER(S1, S2):  $3 \lambda / 2 @ 632.8 \text{ nm}$
- SURFACE IRREGULARITY(S1, S2):  $\lambda / 4 @ 632.8 \text{ nm}$
- CENTRATION:  $<3 \text{ arcmin}$
- CHAMFER:  $<0.5 \text{ mm}, 45^\circ$
- AR COATING(S1, S2):  $R_{\text{avg}} < 0.5\% @ 1100 \text{ nm} - 1650 \text{ nm}, 0^\circ \text{ AOI}, \text{ Single Surface}$

DRAWING PROJECTION			<b>LBTEK</b>			
	NAME	DATE	AD528-C			
DRAWN	SHAN	DEC./4th/25	ACHROMATIC DOUBLETS			
APPROVAL	WCHENG	DEC./4th/25	MATERIAL	WEIGHT	SCALE	REV
FOR INFORMATION ONLY NOT FOR MANUFACTURING PURPOSES			H-ZK50/H-F4	99.29g	1:1	B