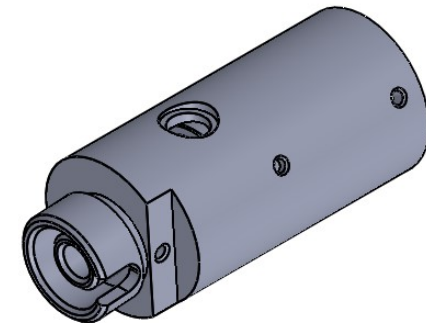
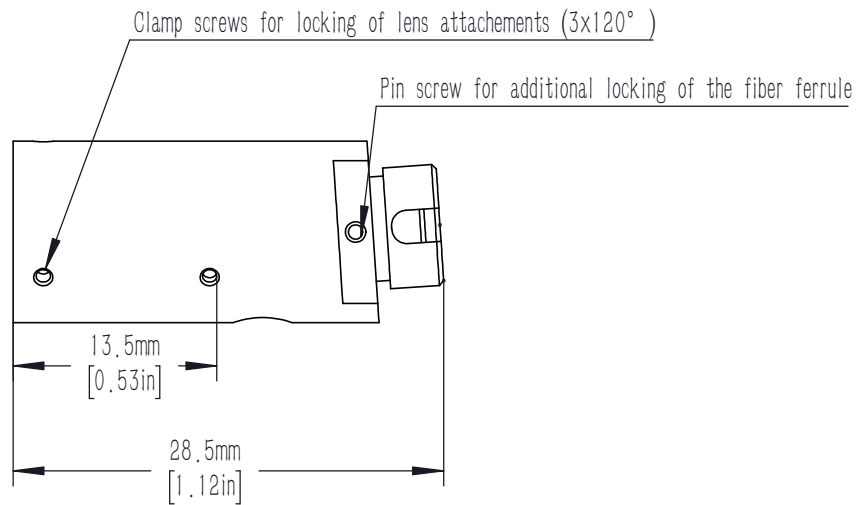


FC/APC interface Wide keys



notes:

- 1.focal length: 2.0 mm
- 2.Waist beam spot diameter: 0.36 mm@460HP
- 3.NA,0.5
- 4.Lens material:D-ZLAF52LA
- 5.Interface type: FC/APC
- 6.Lens coating: 350 - 700 nm

DRAWING PROJECTION			LBTEK			
	NAME	DATE	FIBER COLLIMATOR			
DRAWN	BSHU	Feb./3rd/24	MATERIAL	WEIGHT	SCALE	REV
APPROVAL	WCHENG	Feb./3rd/24	Copper alloys	14.5g	2:1	A
FOR INFORMATION ONLY NOT FOR MANUFACTURING PURPOSES						