

Fiber receptacle
type FC-APC
(wide key)

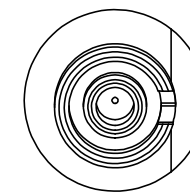
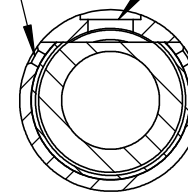
Ø 12.0mm
[0.47in]

9.5mm
[0.38in]

clamp screws
for locking optics position (2x120°)

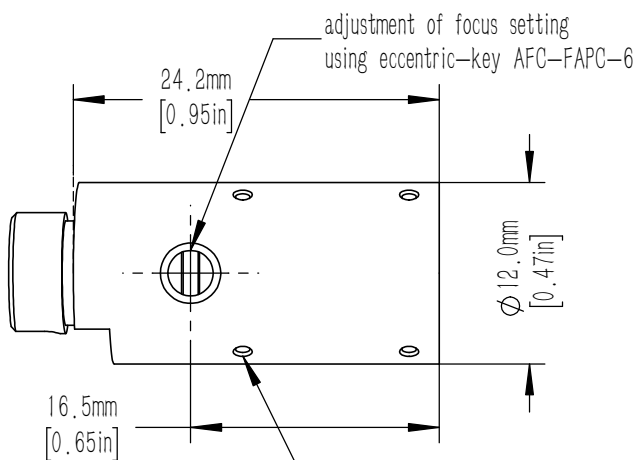
A-A

adjustment of focus setting
using eccentric-key AFC-FAPC-6



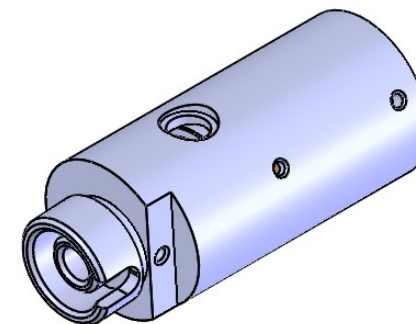
Pin screw for additional locking of the fiber ferrule:
- before pulling the FC-APC-connector;
unlock the pin screw.
-before inserting the FC-APC-connector;
make sure the ferrule is not blocked

clamp screws
for locking of lens attachments (3x120°)



adjustment of focus setting
using eccentric-key AFC-FAPC-6

clamp screws for locking optics position (2x120°)



notes:

1. focal length: 4.6 mm
2. Waist beam spot diameter: 0.85 mm@460HP
3. NA: 0.5
4. Lens material: D-ZK3
5. Interface type: FC/APC
6. Lens coating: 350 - 700 nm

DRAWING PROJECTION			LBTEK			
	NAME	DATE	ADFCA-4.6-APC			
DRAWN	BSHU	Feb. /3rd/24	FIBER COLLIMATOR			
APPROVAL	WCHENG	Feb. /3rd/24	MATERIAL	WEIGHT	SCALE	REV
FOR INFORMATION ONLY NOT FOR MANUFACTURING PURPOSES			N/A	0.004 Kg	2:1	A