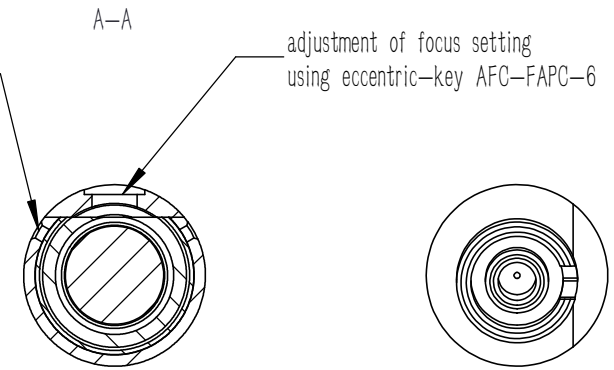
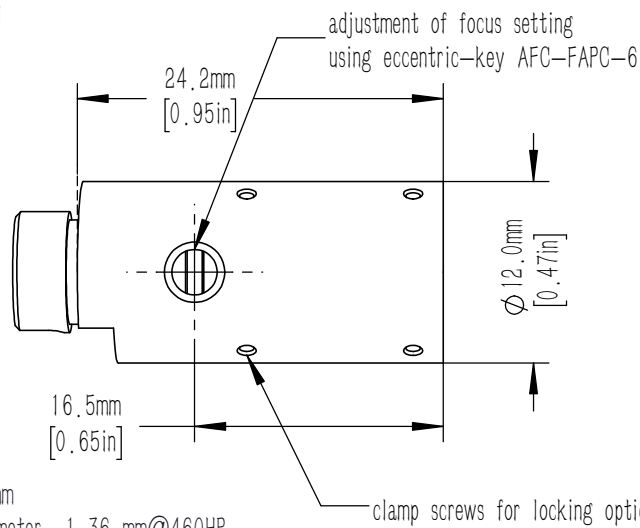


clamp screws for locking optics position (2x120°)

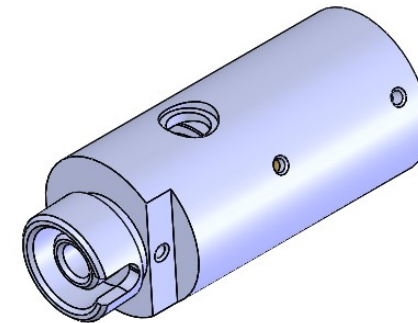


Pin screw for additional locking of the fiber ferrule:
 - before pulling the FC-APC-connector;
 unlock the pin screw.
 -before inserting the FC-APC-connector;
 make sure the ferrule is not blocked

clamp screws for locking of lens attachments (3x120°)



clamp screws for locking optics position (2x120°)



notes.

- 1.focal length: 7.5 mm
- 2.Waist beam spot diameter: 1.36 mm@460HP
- 3.NA:0.3
- 4.Lens material:D-ZLAF52LA
- 5.Interface type: FC/APC
- 6.Lens coating: 350 - 700 nm

| | | | | | | |
|--------------------------------------------------------|--------|---------------|------------------|----------|-------|-----|
| DRAWING PROJECTION | | | LBTEK | | | |
| NAME | DATE | ADFCA-7.5-APC | | | | |
| DRAWN | BSHU | Feb./3rd/24 | FIBER COLLIMATOR | | | |
| APPROVAL | WCHENG | Feb./3rd/24 | MATERIAL | WEIGHT | SCALE | REV |
| FOR INFORMATION ONLY NOT FOR MANUFACTURING PURPOSES | | | N/A | 0.013 Kg | 2:1 | A |