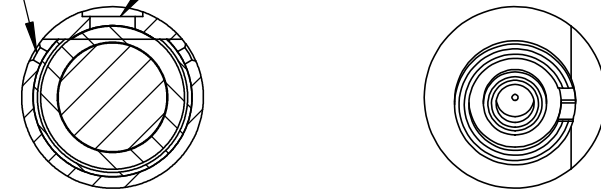


clamp screws for locking optics position ( $2 \times 120^\circ$ )

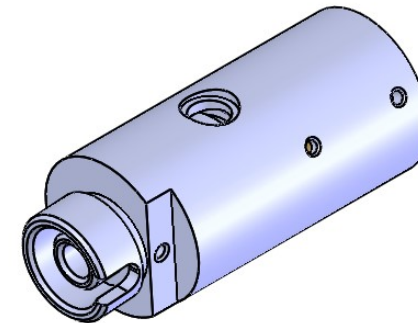
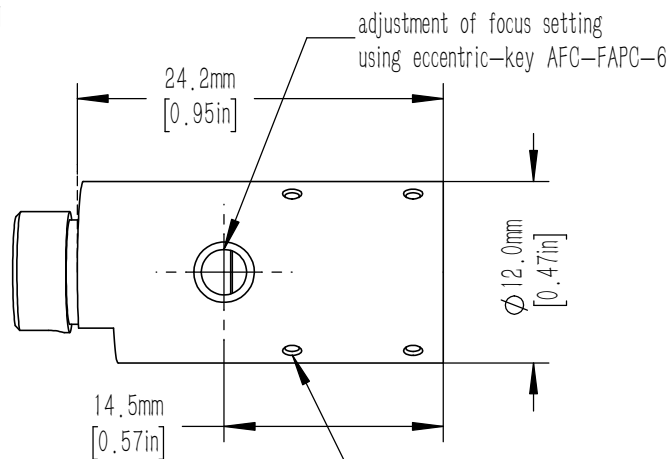
A-A

adjustment of focus setting using eccentric-key AFC-FAPC-6



Pin screw for additional locking of the fiber ferrule:  
 - before pulling the FC-APC-connector;  
 unlock the pin screw.  
 -before inserting the FC-APC-connector;  
 make sure the ferrule is not blocked

clamp screws for locking of lens attachments ( $3 \times 120^\circ$ )



notes:

1. focal length: 11.0 mm
2. Waist beam spot diameter: 2.38 mm@780HP
3. NA: 0.3
4. Lens material: D-ZK3
5. Interface type: FC/APC
6. Lens coating: 600 - 1050 nm

clamp screws for locking optics position ( $2 \times 120^\circ$ )

|  |        |                |                  |          |       |     |
|--|--------|----------------|------------------|----------|-------|-----|
| DRAWING PROJECTION                                     |        |                | <b>LBTEK</b>     |          |       |     |
| NAME   | DATE   | ADFCB-11.0-APC |                  |          |       |     |
| DRAWN  | BSHU   | Jan./6th/24    | FIBER COLLIMATOR |          |       |     |
| APPROVAL   | WCHENG | Jan./6th/24    | MATERIAL         | WEIGHT   | SCALE | REV |
| FOR INFORMATION ONLY<br>NOT FOR MANUFACTURING PURPOSES |        |                | N/A              | 0.004 Kg | 2:1   | A   |