

Fiber receptacle
type FC-APC
(wide key)

Ø 12.0mm
[0.47in]

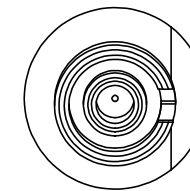
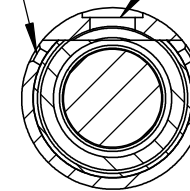
clamp screws
for locking of lens attachments (3x120°)

Pin screw for additional locking of the fiber ferrule:
- before pulling the FC-APC-connector;
unlock the pin screw.
-before inserting the FC-APC-connector;
make sure the ferrule is not blocked

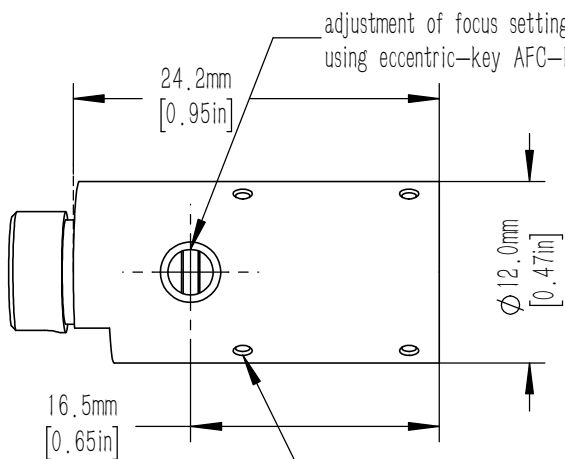
clamp screws
for locking optics position (2x120°)

A-A

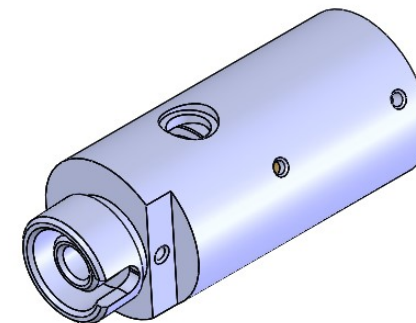
adjustment of focus setting
using eccentric-key AFC-FAPC-6



adjustment of focus setting
using eccentric-key AFC-FAPC-6



clamp screws for locking optics position (2x120°)



notes:

1. focal length: 7.5 mm
2. Waist beam spot diameter: 1.62 mm@780HP
3. NA: 0.3
4. Lens material: D-ZLAF52LA
5. Interface type: FC/APC
6. Lens coating: 600 - 1050 nm

DRAWING PROJECTION			LBTEK			
	NAME	DATE	FIBER COLLIMATOR			
DRAWN	BSHU	Feb. /3rd/24	MATERIAL	WEIGHT	SCALE	REV
APPROVAL	WCHENG	Feb. /3rd/24	N/A	0.013 Kg	2:1	A
FOR INFORMATION ONLY NOT FOR MANUFACTURING PURPOSES						